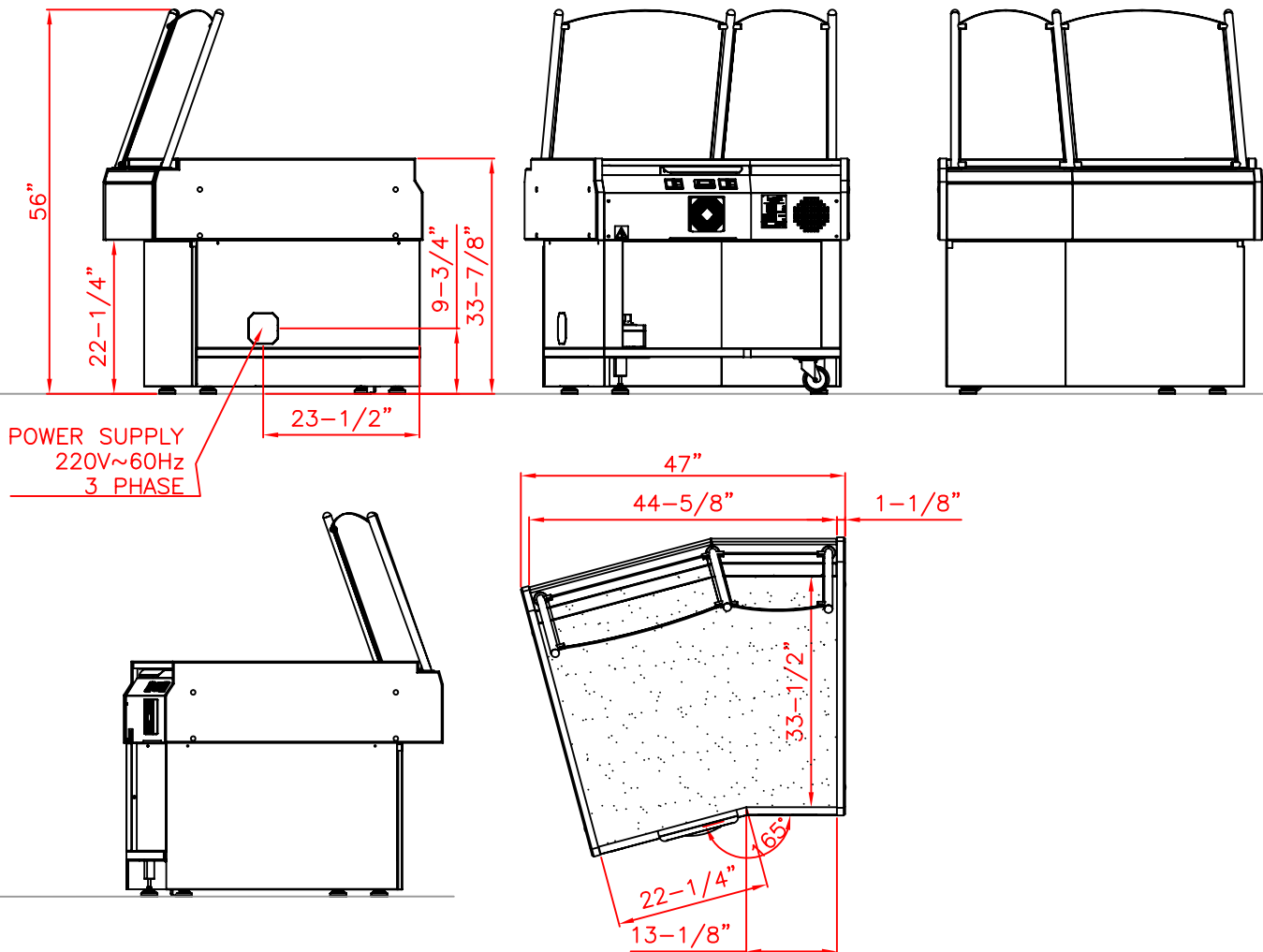


## DATA SHEET

## EVOLUTION I OPEN DISPLAY CASE WITH HEATED GRANITE TOP REF. : MOGC15G



## SPECIFICATIONS

Stainless steel finish.

Digital display with electronic temperature control.

Two Granite slabs with independent heat zones.

Mobile on wheels or fixed with adjustable feet.

**ELECTRICAL :** 220/230V~60hz Tri-Phase (78" electrical cable)

Electrical power : 2.22kw with 2 heating elements of 1100 w and 1 fan of 20 w.

-9 Amps 208 - 230V

### OPTIONS:

- Epoxy finish available (choice of several colors) - for front and side panels.
- Terminal block with breaker for multiple connections.
- Protective 1-1/8" side panels for 'end of the line' location, color to be specified.
- Sneeze-guard for full-serve or self-serve with mounts available in brass, chrome, champagne or brushed aluminum.
- Shopping cart bumper or brass protection bar.

### ACCESSORIES:

- Heat lamps (250W)
- Heated carving station, cast iron skillet