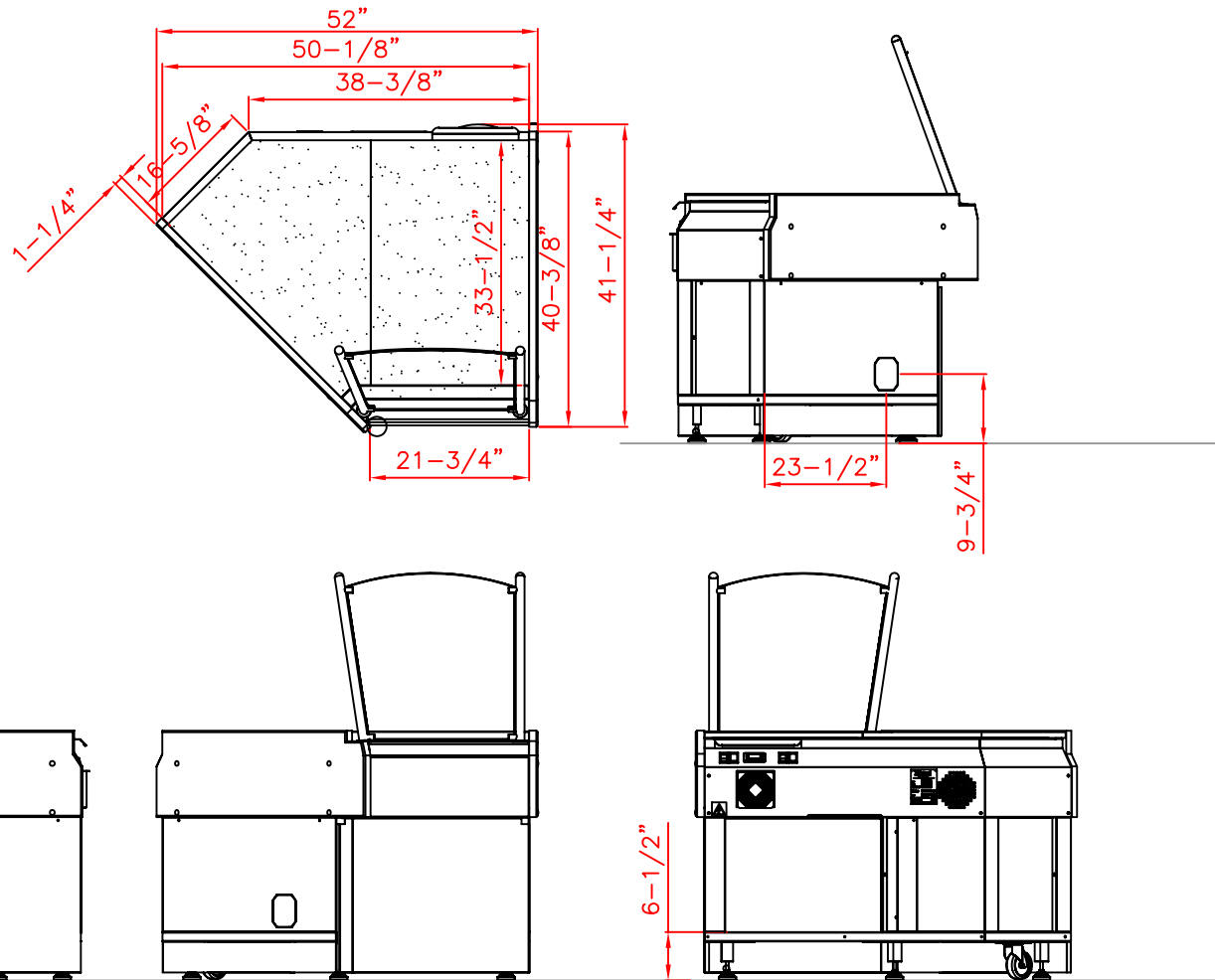


## DATA SHEET

## EVOLUTION I OPEN DISPLAY CASE WITH HEATED GRANITE TOP REF. : MOGC45DI



## SPECIFICATIONS

Stainless steel finish.

Digital display with electronic temperature control.

Two Granite slabs with independent heat zones.

Mobile on wheels or fixed with adjustable feet.

**ELECTRICAL :** 220/230V ~60hz Tri-Phase (78" electrical cable)

Electrical power : 2.22kw with 2 heating elements of 1100 w and 1 fan of 20 w.

-5,65 Amps if 230V

-5,9 Amps if 220V

-6,25 Amps if 208V

### OPTIONS:

- Epoxy finish available (choice of several colors) - for front and side panels.

- Terminal block with breaker for multiple connections.

- Protective 1-1/8" side panels for 'end of the line' location, color to be specified.

- Sneeze-guard for full-serve or self-serve with mounts available in brass, chrome, champagne or brushed aluminum.

- Shopping cart bumper or brass protection bar.

### ACCESSORIES:

- Heat lamps (250W)

- Heated carving station, cast iron skillet