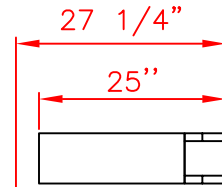
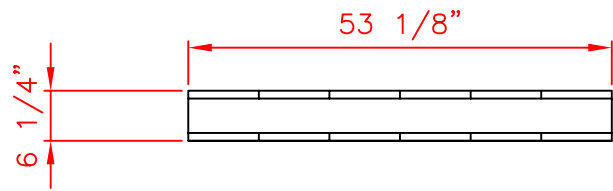


**SPECIFICATIONS GF.1350/2. ELECTRIC
MODEL WITH OPTIONAL BASE
CABINET AND PROTECTIVE ROOF
10/12 CHICKEN CAPACITY**

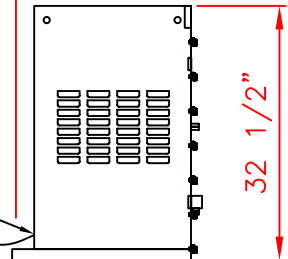
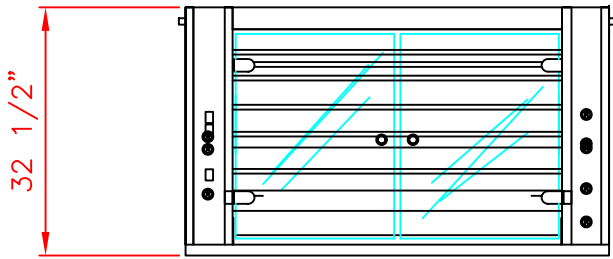
Rotisol
Tel: (800) 651-5969
Fax: (310) 671-8176

SIDE VIEW

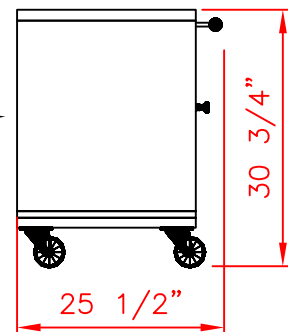
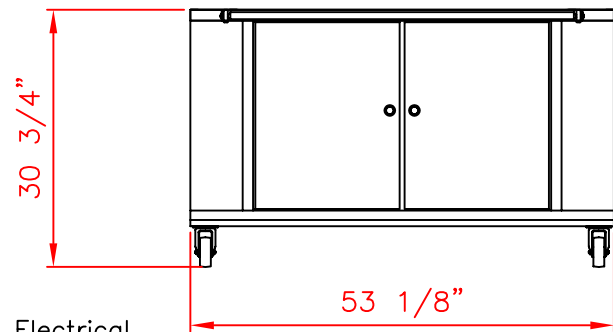
FRONT VIEW



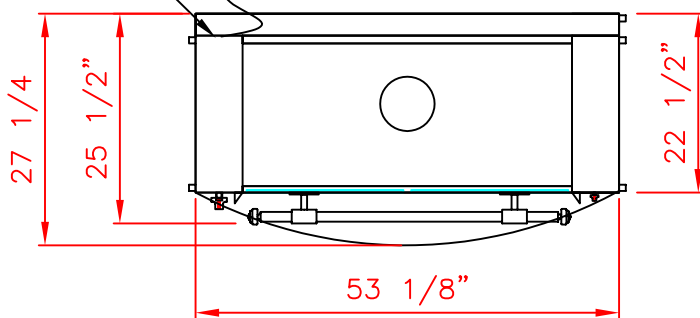
← ROOF →



← CABINET →



TOP VIEW



NOTE: Specifications, design and features are subject to change without notice.

SPECIFICATIONS

- Number of cooling fan: 1
- Number of motors: 3
- Number of spits: 3
- Tempered glass doors: 2
- Voltage: 220 V Tri phase
- Electrical power for rotisserie: 32,7 Amps

- Electrical cable length: 78"
- Lighting: 2 halogen lamps of 300W
- Net weight roof: 48 Lbs
- Net weight rotisserie: 410Lbs
- Net weight cabinet: 165 Lbs