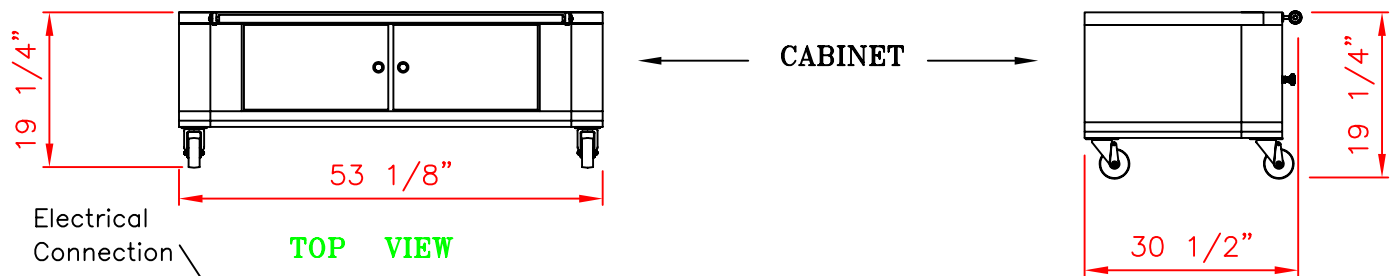
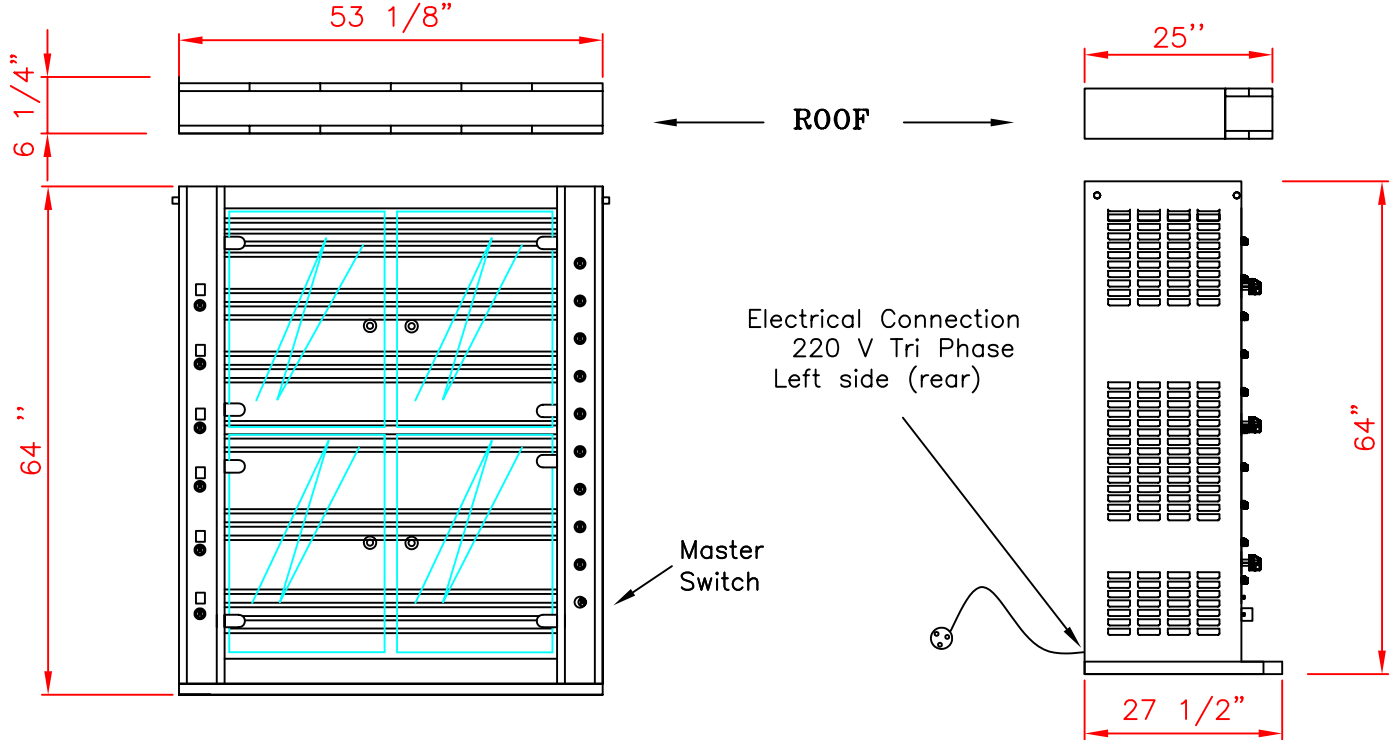


**SPECIFICATIONS GF.1350/8. ELECTRIC
MODEL WITH OPTIONAL CUSTOM BASE
CABINET AND PROTECTIVE ROOF
40/48 CHICKEN CAPACITY**

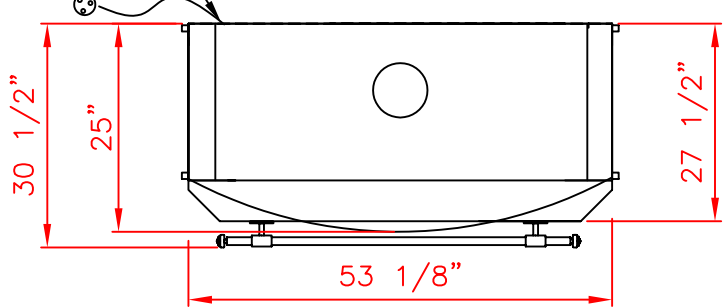
Rotisol
Tel: (800) 651-5969
Fax: (310) 671-8176

FRONT VIEW

SIDE VIEW



TOP VIEW



NOTE: Specifications, design and features are subject to change without notice.

SPECIFICATIONS

- | | |
|--|---|
| <ul style="list-style-type: none"> -Number of cooling fans: 2 -Number of motors: 8 -Number of spits: 8 -Tempered glass doors: 4 -Electrical cable length: 78" -Voltage: 220V Tri Phase | <ul style="list-style-type: none"> -Electrical power: 108 Amps -Lighting: 2 halogen lamps of 300W -Net weight roof: 48Lbs -Net weight rotisserie: 530Lbs -Net weight cabinet: 185Lbs |
|--|---|