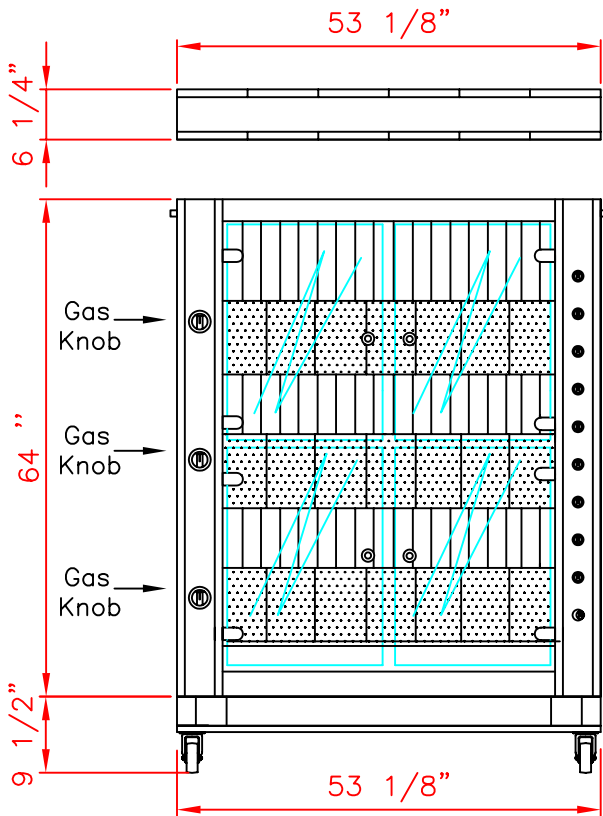


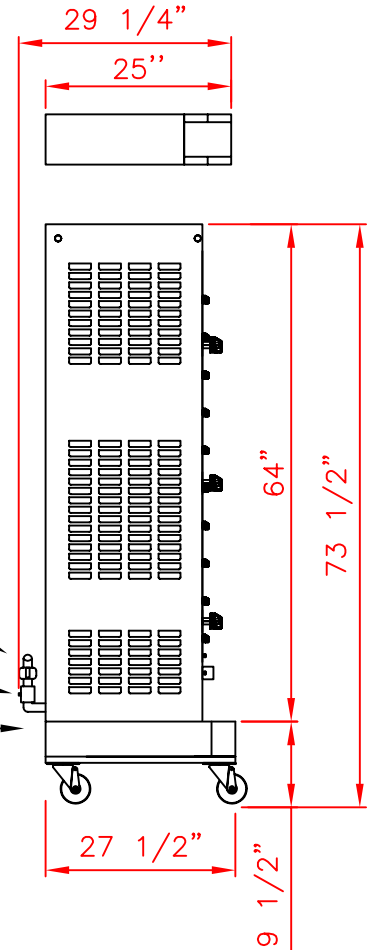
**SPECIFICATIONS GF.1350/8. ELECTRIC  
MODEL WITH OPTIONAL SHORT  
BASE AND PROTECTIVE ROOF  
40/48 CHICKEN CAPACITY**

**Rotisol**  
Tel:(800) 651-5969  
Fax:(310) 671-8176

**FRONT VIEW**



**SIDE VIEW**



← ROOF →

Electrical Connection  
220 Volts  
Left side (rear)

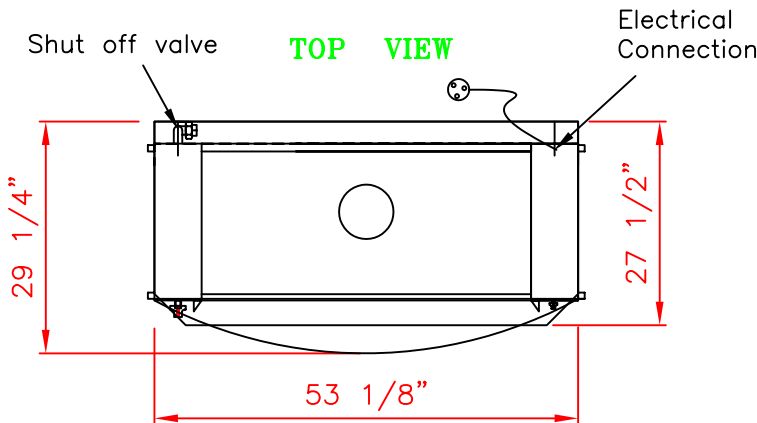
Shut off valve  
(3/4" pipe connection)  
Right side (rear)

Master  
Switch

Regulator

← SHORT BASE →

**TOP VIEW**



**NOTE: Specifications, design and features are subject to change without notice.**

**SPECIFICATIONS**

- Number of cooling fans: 2
- Number of motors: 8
- Number of spits: 8
- Tempered glass doors: 4
- Electrical cable length: 78"
- Voltage: 220V Tri Phase

- Electrical power: 108 Amps
- Lighting: 2 halogen lamps of 300W
- Net weight roof: 48Lbs
- Net weight rotisserie: 530Lbs
- Net weight cabinet: 185Lbs