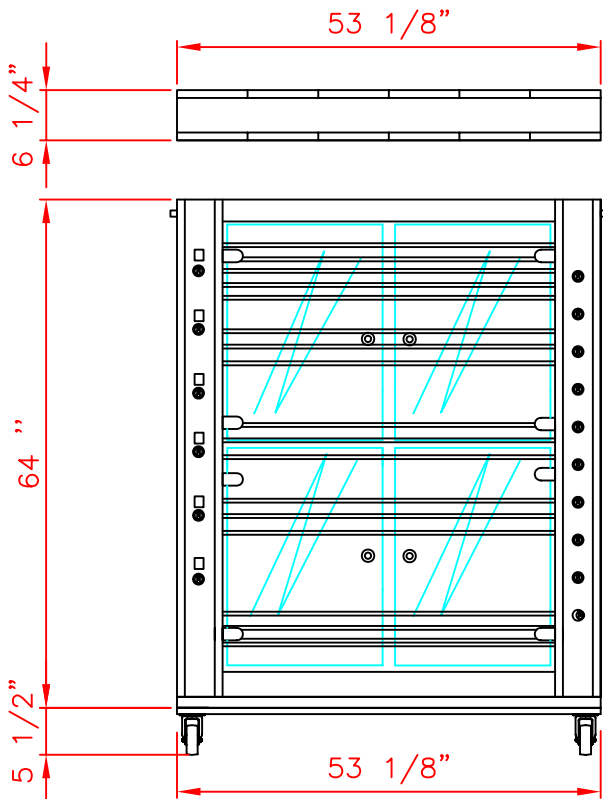


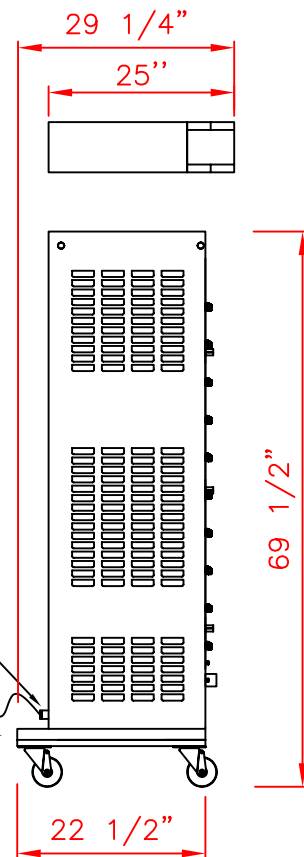
SPECIFICATIONS GF.1350/8. ELECTRIC  
MODEL WITH OPTIONAL  
PROTECTIVE ROOF  
40/48 CHICKEN CAPACITY

**Rotisol**  
Tel: (800) 651-5969  
Fax: (310) 671-8176

FRONT VIEW



SIDE VIEW



Electrical Connection  
220 Volts Tri  
Left side (rear)

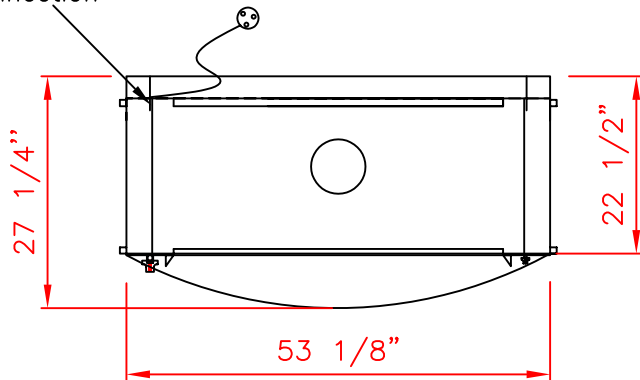
Master  
Switch

BASE ON CASTER

ROOF

Electrical  
Connection

TOP VIEW



NOTE: Specifications, design and features are subject to change without notice.

**SPECIFICATIONS**

- Number of cooling fans: 2
- Number of motors: 8
- Number of spits: 8
- Tempered glass doors: 4
- Voltage: 220V single Tri phase
- Electrical power: 78 Amps

- Lighting: 2 halogen lamps of 300W
- Electric power : 108 Amps
- Net weight roof: 48Lbs
- Net weight rotisserie: 560 Lbs