

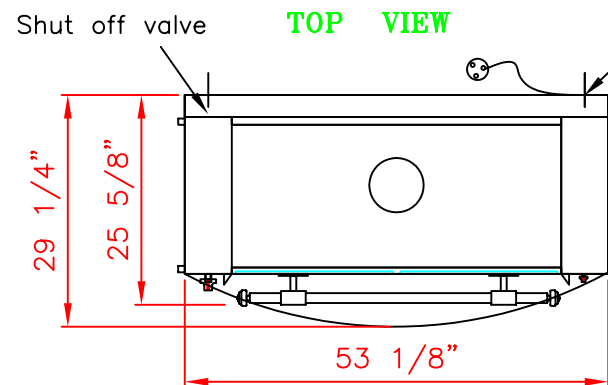
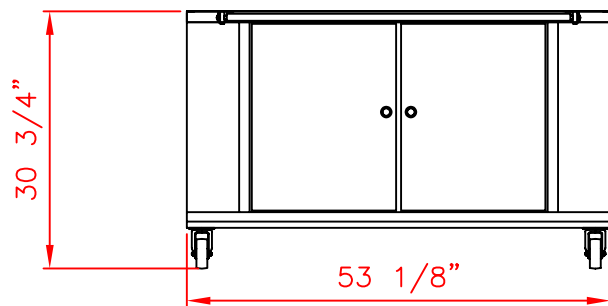
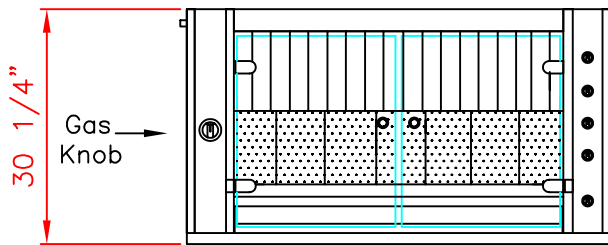
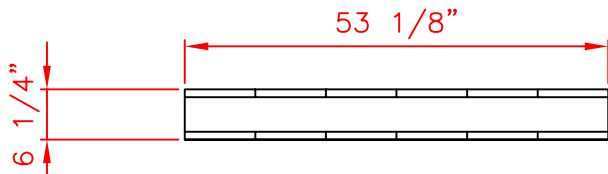
CLASSIFIED



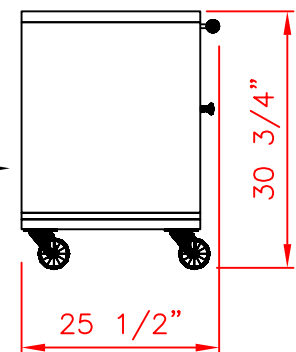
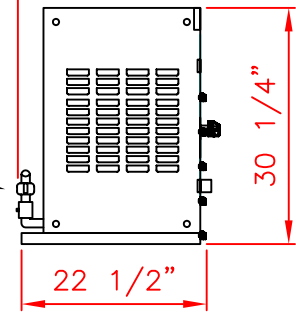
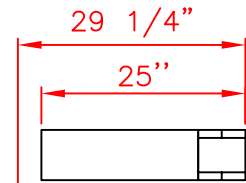
# SPECIFICATIONS GF.1350/2. GAS MODEL WITH OPTIONAL BASE CABINET AND PROTECTIVE ROOF 10/12 CHICKEN CAPACITY

**Rotisol**  
Tel:(800) 651-5969  
Fax:(310) 671-8176

**FRONT VIEW**



**SIDE VIEW**



← **ROOF** →

← **CABINET** →

Electrical Connection  
220 Volts  
Left side (rear)

Shut off valve  
(3/4" pipe connection)  
Right side (rear)

Master Switch

Regulator

Electrical Connection

**NOTE: Specifications, design and features are subject to change without notice.**

## SPECIFICATIONS

- Number of cooling fan: 1
- Number of motors: 3
- Number of spits: 3
- Tempered glass doors: 2
- Electrical cable length: 78"
- Voltage: 220V single phase
- Electrical power: 5 Amps

- Lighting: 2 halogen lamps of 300W
- Gas pipe connection: 3/4"
- Gas consumption BTU/HOUR: 41,000
- Crated weight roof: 77 Lbs
- Crated weight rotisserie: 305 Lbs
- Crated weight cabinet: 165 Lbs