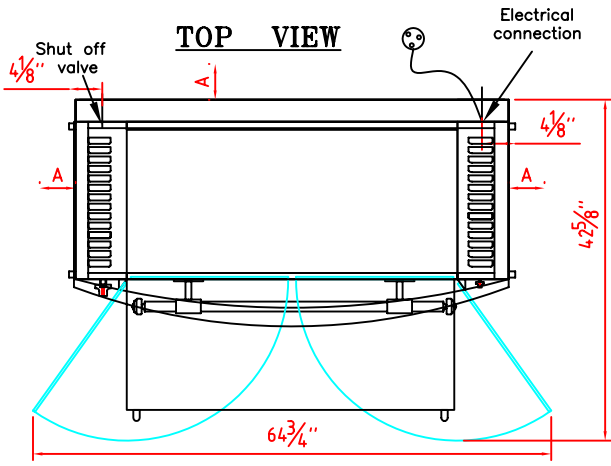
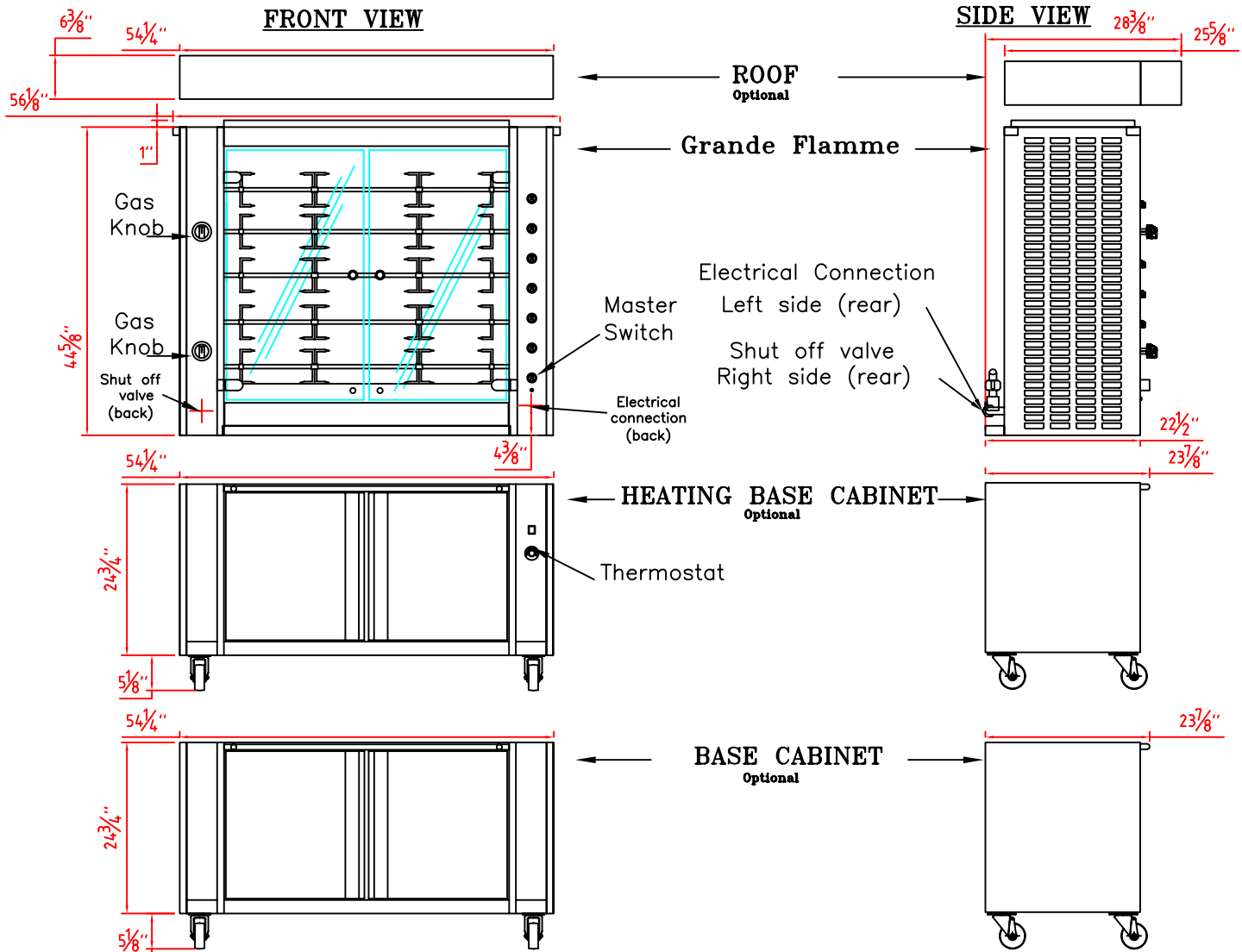


# SPECIFICATION GRANDE FLAMME 1350/5-S GAS



A : 6" clearance between Gaz Rotisserie & wall

	DIMENSION (inches)			GAS CONNECTION	
	WIDTH	HEIGHT	DEPTH		
1-rotisserie	56 1/8	45 5/8	22 1/2	- pipe : 3/4", non corrugated flexible quick disconnect recommended - Consumption : 82,000 Btu/h (natural) 75,000 Btu/h (propane) - Minimum pressure : 7" WC	
2-roof	54 1/4	6 3/8	25 5/8	<b>ELECTRICAL CONNECTION</b> - Standard : 550 W/ 220V/ 1 phase/ 2.5 Amps 1 Electrical cable : 78" length - Std With the heated cabinet : 2605 W/ 220V/1 phase/ 11.8 Amps 1 Electrical cable : 78" length	
3-heating or base cabinet	54 1/4	29 7/8	23 7/8		
1+2	54 1/4	51	28 3/8	<b>WEIGHT</b>	
1+3	54 1/4	75 1/2	23 7/8	<b>NOTE</b>	
1+2+3	54 1/4	80 7/8	28 3/8	- Roof : 20 Lbs - Rotisserie : 418 Lbs - Base cabinet : 154 Lbs - Heated cabinet : 165 Lbs - Packing : 70 Lbs	- Nb of motors: 5 - Nb of burners: 2 - Nb of spits: 5 - Nb of glass doors: 2 - Nb of halogen lamps: 2

## WARRANTY CONDITIONS :

rotisol warrants its equipment to be free from defects in material and workmanship. the warranty covers parts for one year and labor for 6 months. repairs must be performed by an authorized service company and it is the responsibility of the customer to return the defective parts to rotisol france, inc. within 15 days( otherwise, the warranty will not be honored). the shipping charges for replacement parts, other than ground, will be at the customer's expense. this warranty does not cover glass door breakage and quartz or halogene lamp breakage, neither does it cover a mechanical parts. this warranty does not apply to damages by accident, incorrect line voltage, fire, water, or other acts or god.