

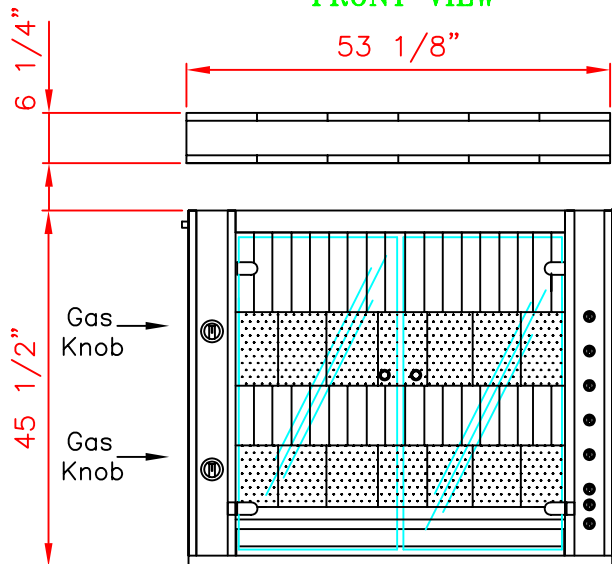
CLASSIFIED

SPECIFICATIONS GF.1350/5. GAS
MODEL WITH OPTIONAL BASE CABINET
AND PROTECTIVE ROOF
25/30 CHICKEN CAPACITY

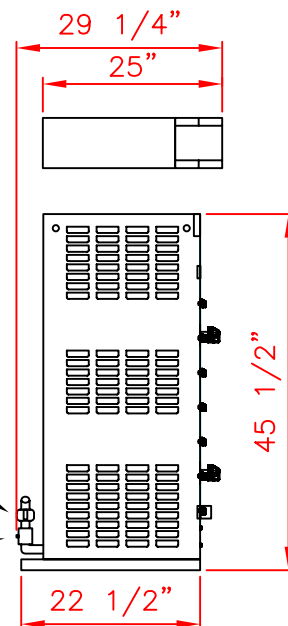
Rotisol
Tel:(800) 651-5969
Fax:(310) 671-8176



FRONT VIEW



SIDE VIEW



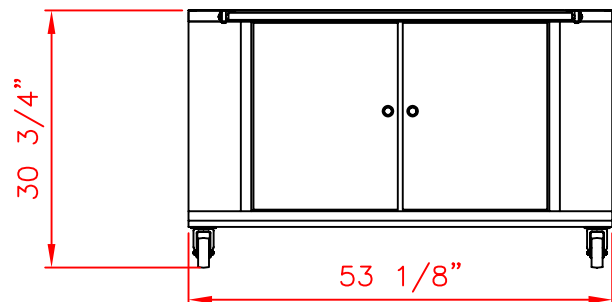
ROOF

Electrical Connection
220 Volts
Left side (rear)

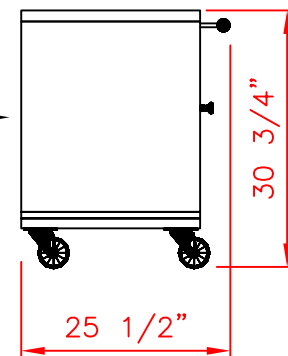
Shut off valve
(3/4" pipe connection)
Right side (rear)

Master
Switch

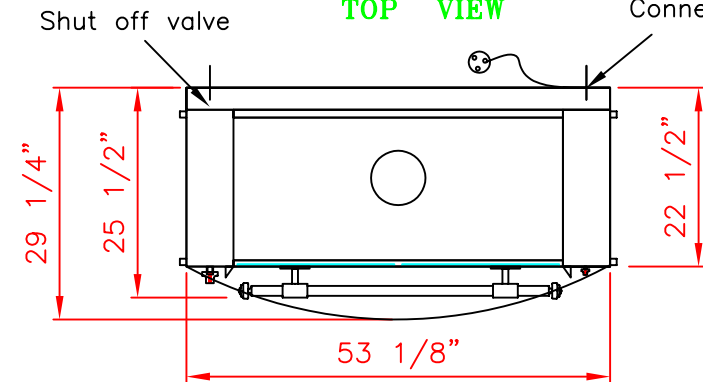
Regulator



CABINET



TOP VIEW



Electrical
Connection

NOTE: Specifications, design and features are subject to change without notice.

SPECIFICATIONS

- Number of cooling fans: 2
- Number of motors: 5
- Number of spits: 5
- Tempered glass doors: 2
- Electrical cable length: 78"
- Voltage: 220V single phase
- Electrical power: 5.2 Amps

- Lighting: 2 halogen lamps of 300W
- Gas pipe connection: 3/4"
- Gas consumption BTU/HOUR: 82,000
- Crated weight roof: 77 Lbs
- Crated weight rotisserie: 530 Lbs
- Crated weight cabinet: 165 Lbs