

CLASSIFIED



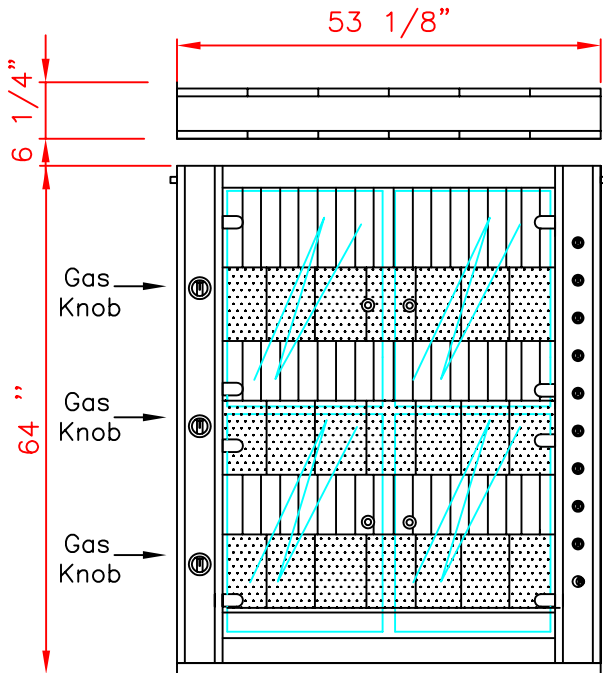
SPECIFICATIONS GF.1350/8. GAS MODEL WITH OPTIONAL CUSTOM BASE CABINET AND PROTECTIVE ROOF 40/48 CHICKEN CAPACITY

Rotisol

Tel:(800) 651-5969

Fax:(310) 671-8176

FRONT VIEW



ROOF

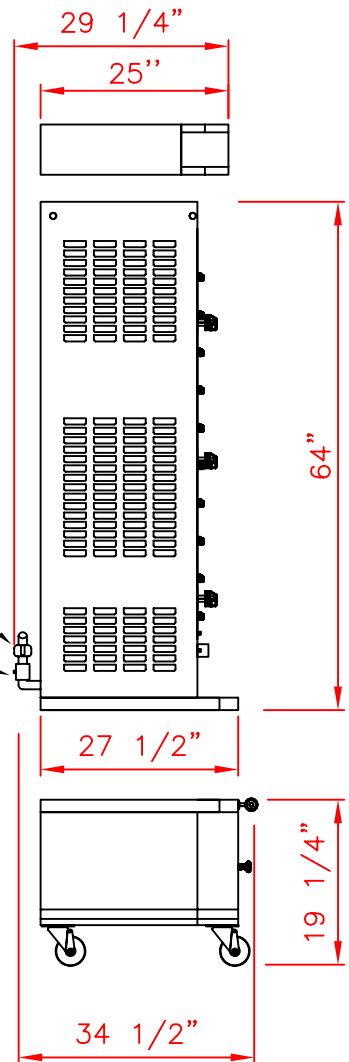
Electrical Connection
220 Volts
Left side (rear)

Shut off valve
(3/4" pipe connection)
Right side (rear)

Master Switch

Regulator

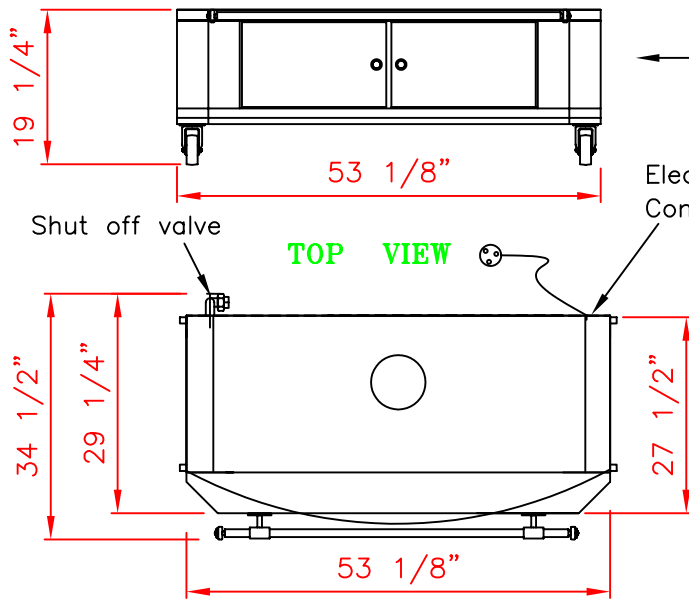
SIDE VIEW



CABINET

Electrical Connection

TOP VIEW



NOTE: Specifications, design and features are subject to change without notice.

SPECIFICATIONS

- Number of cooling fans: 2
- Number of motors: 8
- Number of spits: 8
- Tempered glass doors: 4
- Electrical cable length: 78"
- Voltage: 220V single phase
- Electrical power: 5.5 Amps

- Lighting: 2 halogen lamps of 300W
- Gas pipe connection: 3/4"
- Gas consumption BTU/HOUR: 123,000
- Crated weight roof: 77 Lbs
- Crated weight rotisserie: 815 Lbs
- Crated weight cabinet: 240 Lbs