

CLASSIFIED



NSF

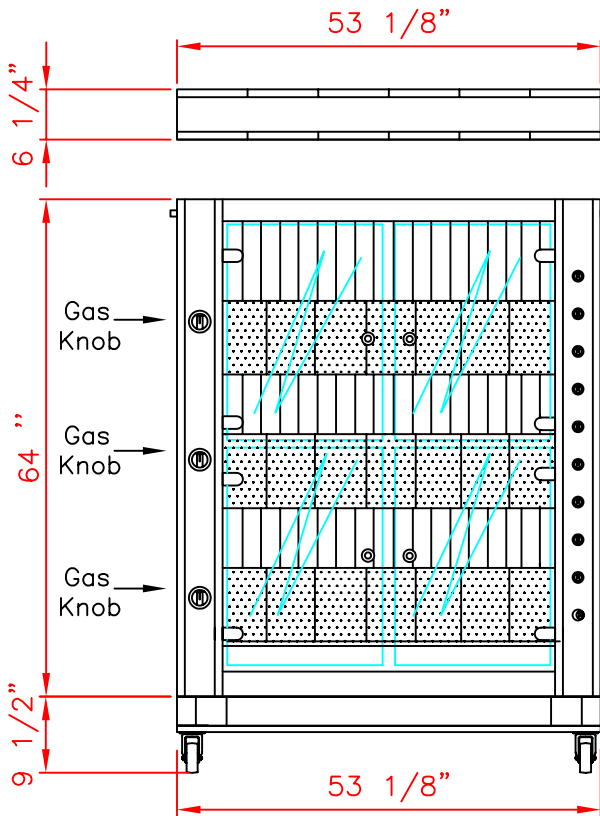
SPECIFICATIONS GF.1350/8. GAS MODEL WITH OPTIONAL SHORT BASE AND PROTECTIVE ROOF 40/48 CHICKEN CAPACITY

Rotisol

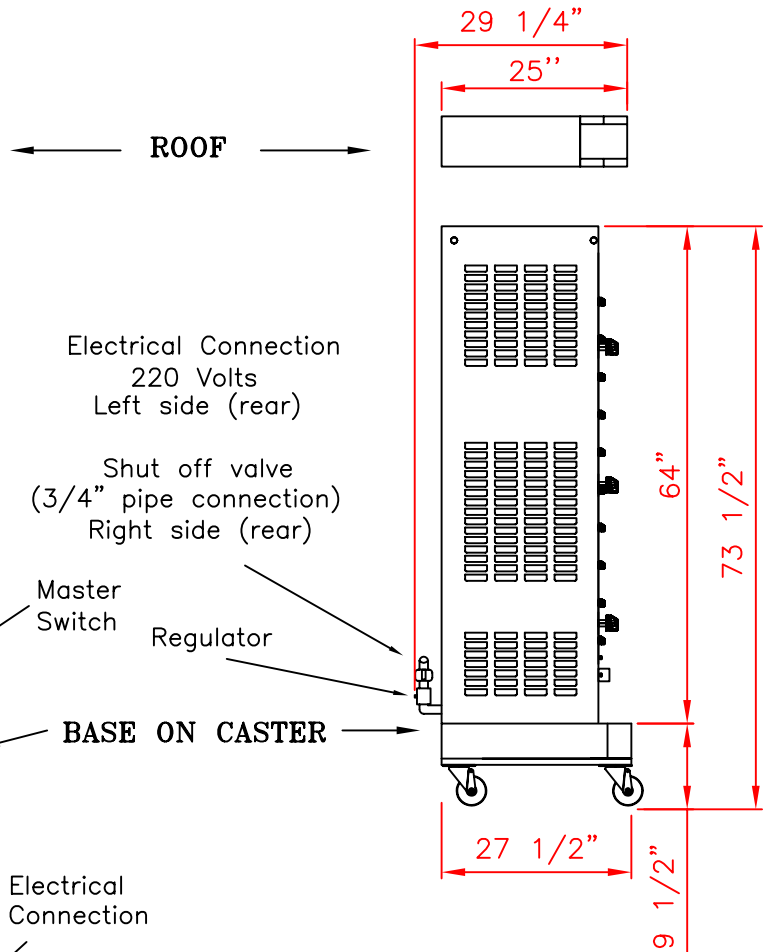
Tel:(800) 651-5969

Fax:(310) 671-8176

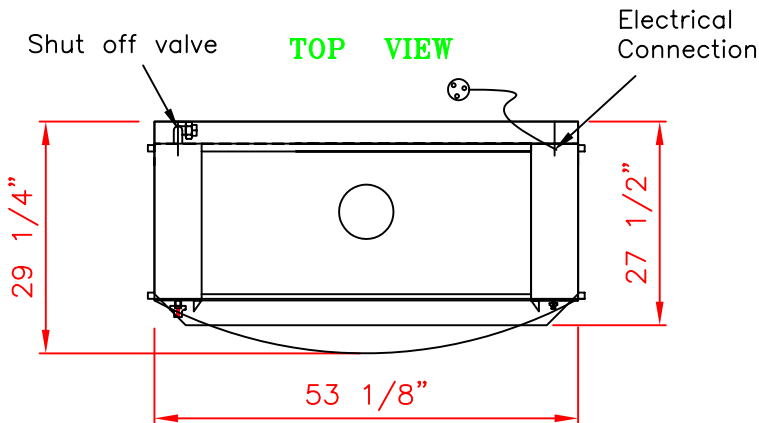
FRONT VIEW



SIDE VIEW



TOP VIEW



NOTE: Specifications, design and features are subject to change without notice.

SPECIFICATIONS

- Number of cooling fans: 2
- Number of motors: 8
- Number of spits: 8
- Tempered glass doors: 4
- Electrical cable length: 78"
- Voltage: 220V single phase
- Electrical power: 5.5 Amps
- Lighting: 2 halogen lamps of 300W
- Gas pipe connection: 3/4"
- Gas consumption BTU/HOUR: 123,000
- Crated weight roof: 77 Lbs
- Crated weight rotisserie: 832 Lbs