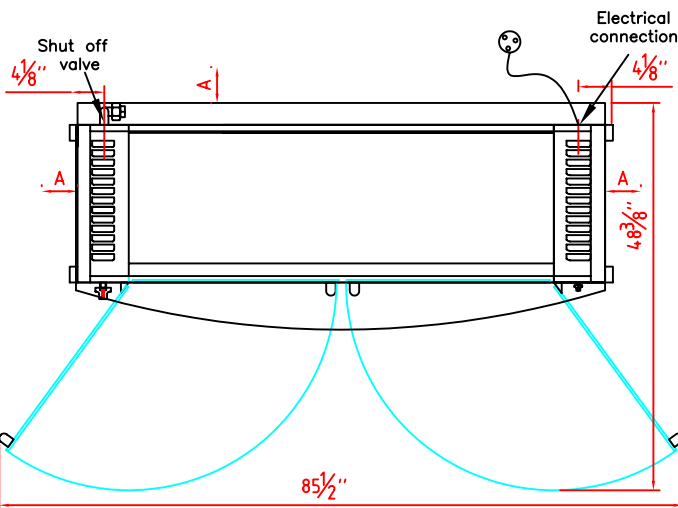
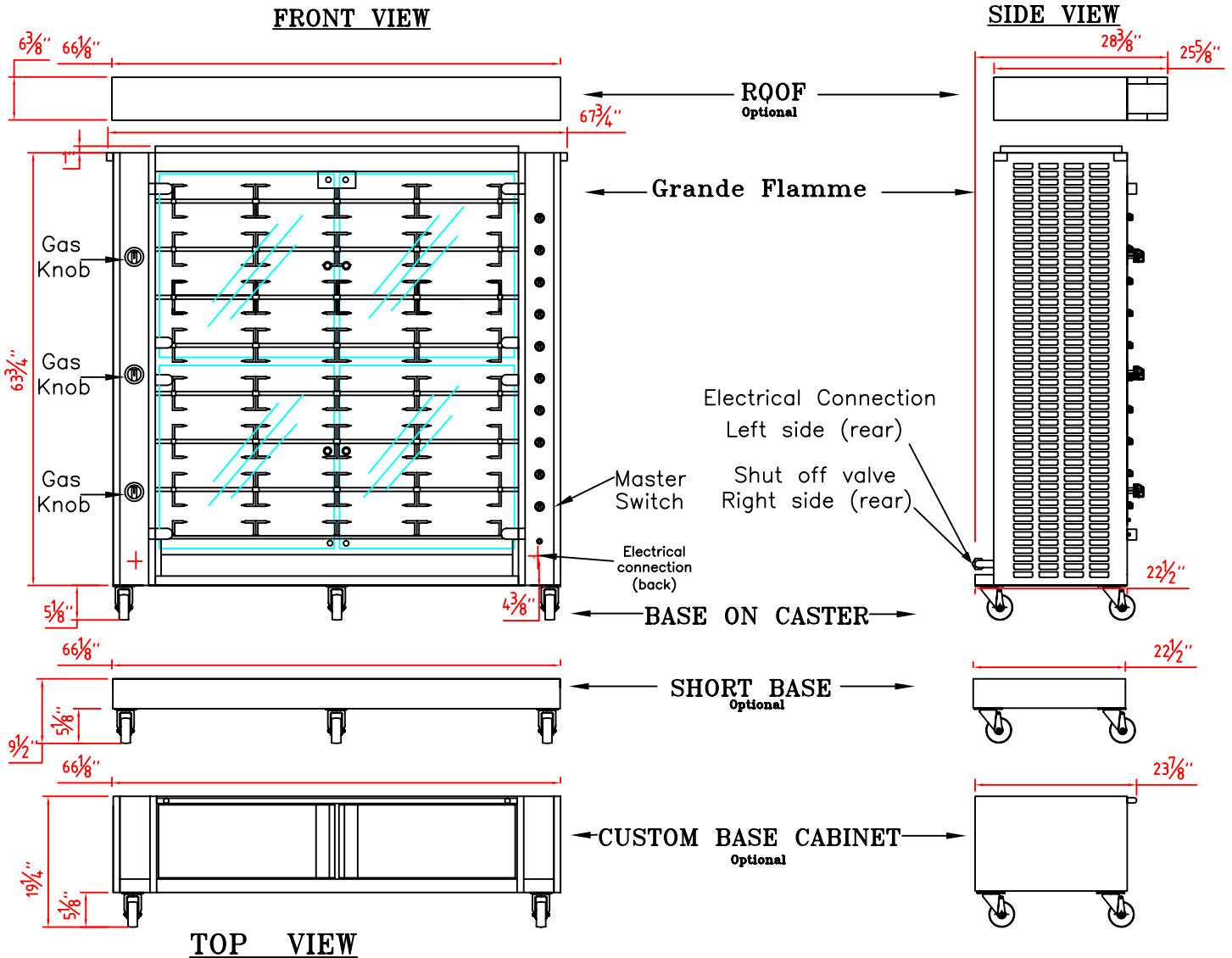


SPECIFICATION GRANDE FLAMME 1650/8-S ELEC



	DIMENSION (inches)			ELECTRICAL CONNECTION	
	WIDTH	HEIGHT	DEPTH		
1-rotisserie	67 3/4	68 7/8	22 1/2	- Standard : - 35 800 Watts - 220 Volts - 3 phases - 94 Amps - 1 Electrical cable : 78" length	
2-roof	66 1/8	6 3/8	25 5/8		
4-short base cabinet	66 1/8	9 1/2	22 1/2		
5-custom base cabinet	66 1/8	19 1/4	23 7/8		
				WEIGHT	NOTE
1+2+4	67 3/4	79 5/8	28 3/8	Roof : 25 lbs	- Nb of motors: 8 - Nb of burners: 3 - Nb of spits: 8 - Nb of glass doors: 4 - Nb of halogen lamps: 2
1+2+5	67 3/4	89 5/8	28 3/8	Rotisserie : 770 lbs	
				Custom base cabinet : 145 lbs	
1+4	67 3/4	74 1/4	22 1/2	Short base cabinet : 105 lbs	
1+5	67 3/4	84	23 7/8	Packing : 90 lbs	

A : 6" clearance between Gaz Rotisserie & wall

WARRANTY CONDITIONS :

rotisol warrants its equipment to be free from defects in material and workmanship. the warranty covers parts for one year and labor for 6 months. repairs must be performed by an authorized service company and it is the responsibility of the customer to return the defective parts to rotisol france, inc. within 15 days(otherwise, the warranty will not be honored). the shipping charges for replacement parts, other than ground, will be at the customer's expense. this warranty does not cover glass door breakage and quartz or halogene lamp breakage, neither does it cover a mechanical parts. this warranty does not apply to damages by accident, incorrect line voltage, fire, water, or other acts or god.