

CLASSIFIED

SPECIFICATIONS GF.1650/8. GAS
MODEL WITH OPTIONAL
PROTECTIVE ROOF
48/56 CHICKEN CAPACITY

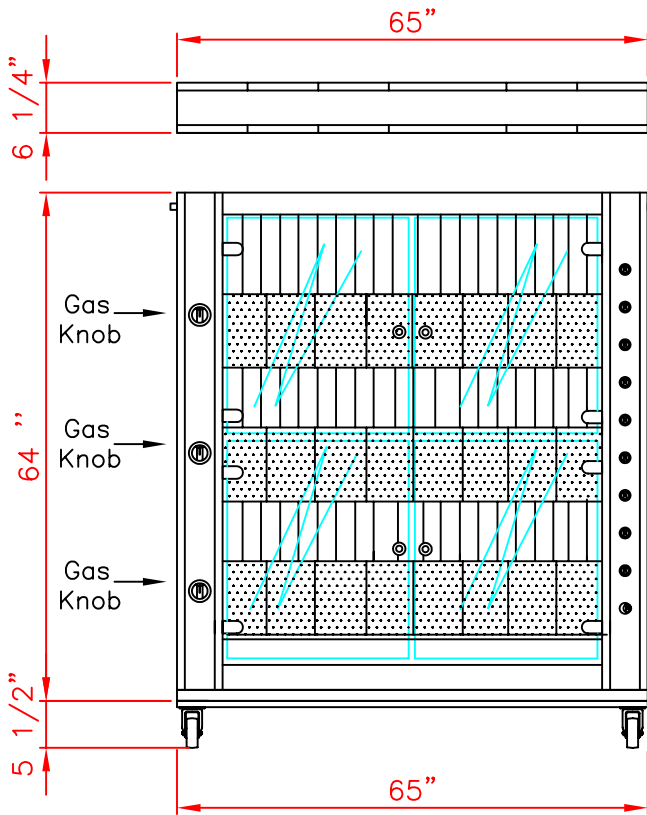
Rotisol

Tel:(800) 651-5969

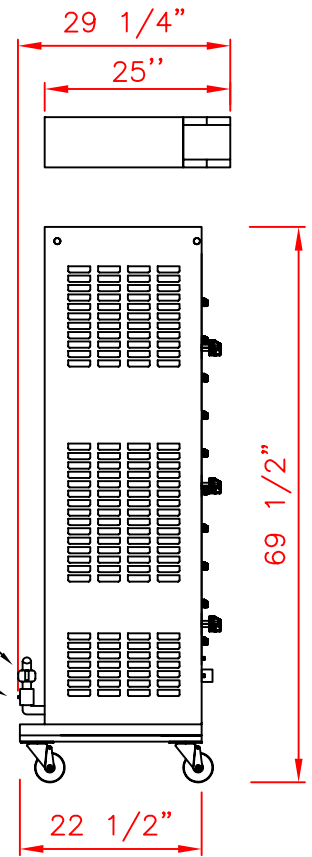
Fax:(310) 671-7254

NSF

FRONT VIEW



SIDE VIEW



ROOF

Electrical Connection
220 Volts
Left side (rear)

(3/4" pipe connection)
Right side (rear)

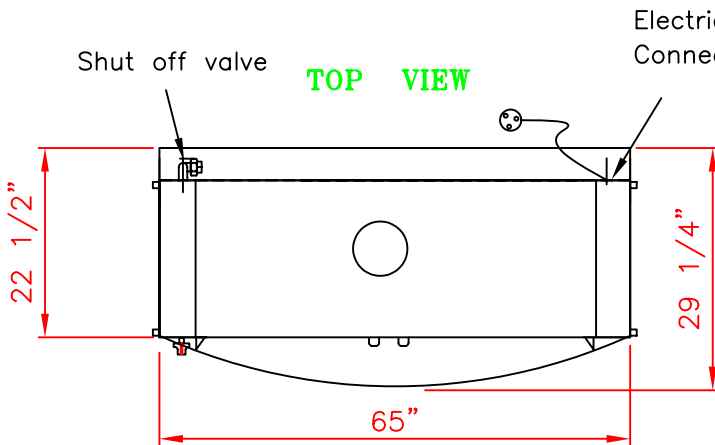
Shut off valve

Regulator

Master Switch

BASE ON CASTER

TOP VIEW



NOTE: Specifications, design and features are subject to change without notice.

SPECIFICATIONS

- Number of cooling fans: 2
- Number of motors: 8
- Number of spits: 8
- Tempered glass doors: 4
- Electrical cable length: 78"
- Voltage: 220V single phase
- Electrical power: 5.5 Amps

- Lighting: 2 halogen lamps of 300W
- Gas pipe connection: 3/4"
- Gas consumption BTU/HOUR: 164,000
- Crated weight roof: 92 Lbs
- Crated weight rotisserie: 988 Lbs