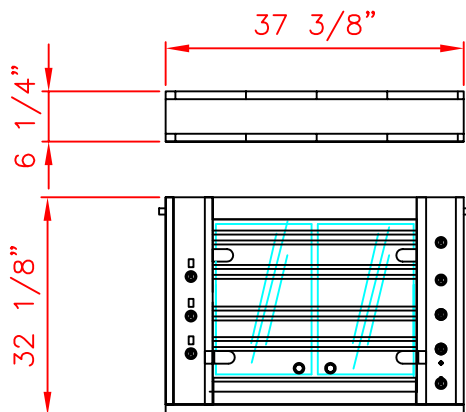


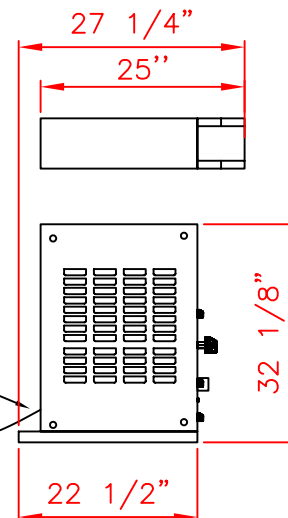
**SPECIFICATIONS GF. 950/2. ELECTRIC  
MODEL WITH OPTIONAL BASE  
CABINET AND PROTECTIVE ROOF  
6/8 CHICKEN CAPACITY**

**Rotisol**  
Tel: (800) 651-5969  
Fax: (310) 671-8176

**FRONT VIEW**



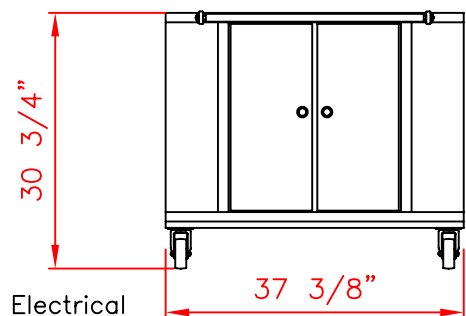
**SIDE VIEW**



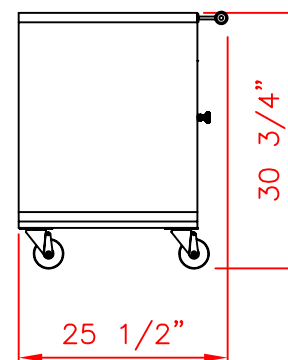
← ROOF →

Electrical Connection  
220 Volts Tri phase  
Left side (rear)

Master  
Switch

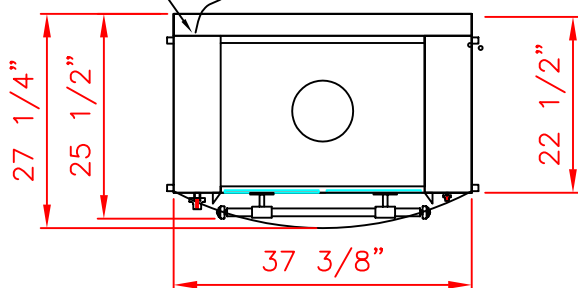


← CABINET →



Electrical  
Connection

**TOP VIEW**



**NOTE: Specifications, design and features are subject to change without notice.**

**SPECIFICATIONS**

- Number of cooling fan: 1
- Number of motors: 3
- Number of spits: 3
- Tempered glass doors: 4
- Electrical cable length: 78"
- Voltage: 220V Tri phase
- Electrical power: 22,7 Amps

- Available 220V single phase/41.3 Amps
- Lighting: 1 halogen lamp of 300W
- Net weight roof: 40 Lbs
- Net weight rotisserie: 165 Lbs
- Net weight cabinet: 95 Lbs