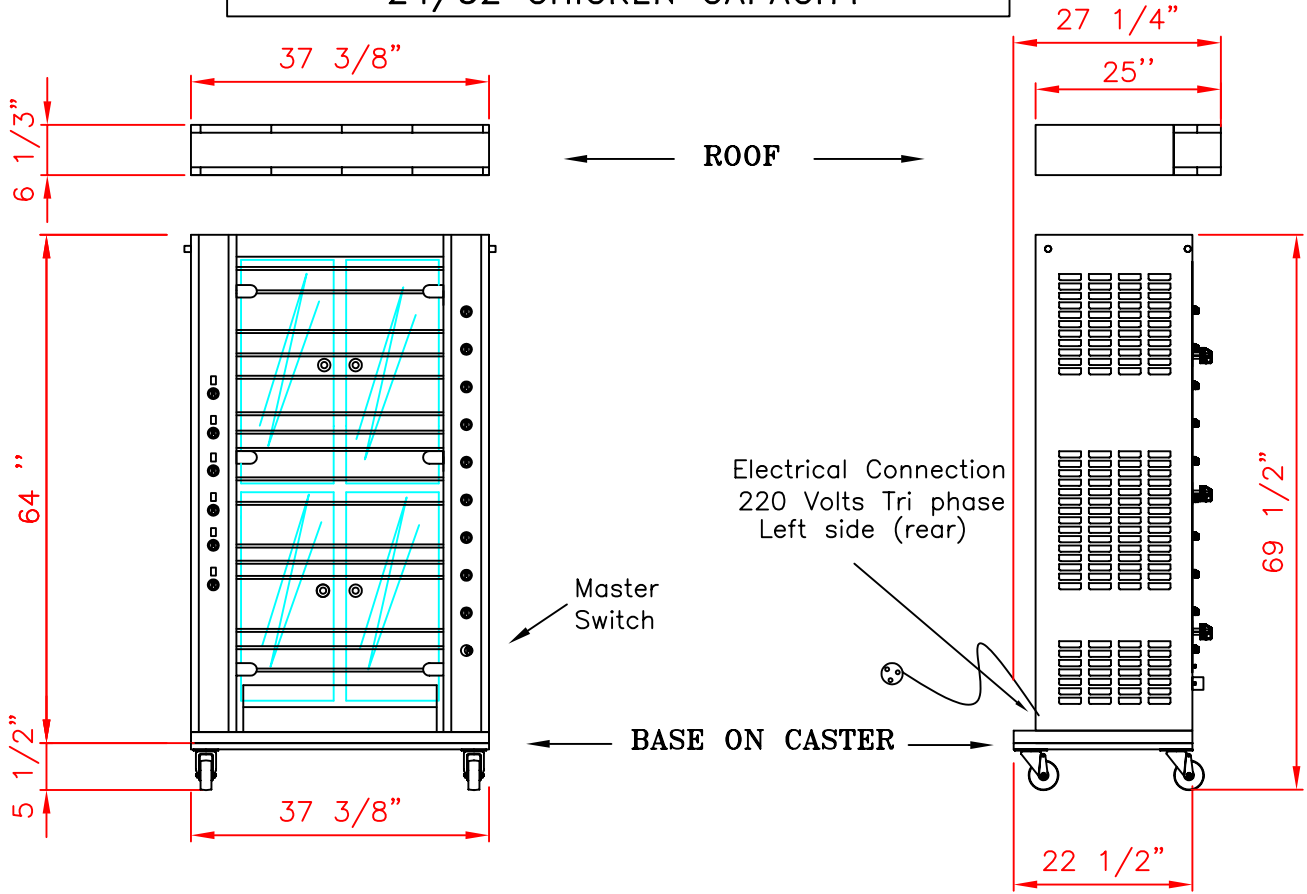


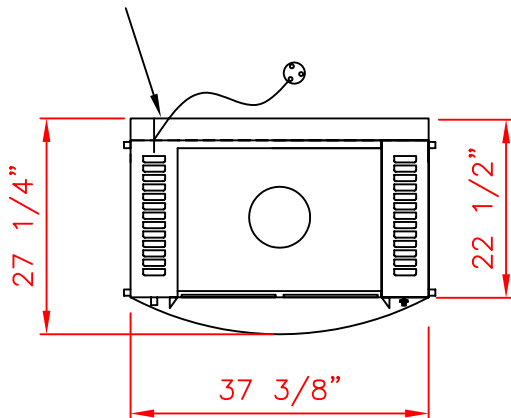
**SPECIFICATIONS GF. 950/8. ELECTRIC
MODEL WITH OPTIONAL
PROTECTIVE ROOF
24/32 CHICKEN CAPACITY**

Rotisol
Tel: (800) 651-5969
Fax: (310) 671-8176



TOP VIEW

Electrical Connection
220 Volts Tri Phase



NOTE: Specifications, design and features are subject to change without notice.

SPECIFICATIONS

FRONT VIEW

- Number of cooling fans: 2
- Number of motors: 8
- Number of spits: 8
- Tempered glass doors: 4
- Electrical cable length: 78"

SIDE VIEW

- Voltage: 220V Tri phase
- Electrical power: 53 Amps
- Lighting: 1 halogen lamp of 300W
- Net weight roof: 40 Lbs
- Net weight rotisserie: 410 Lbs