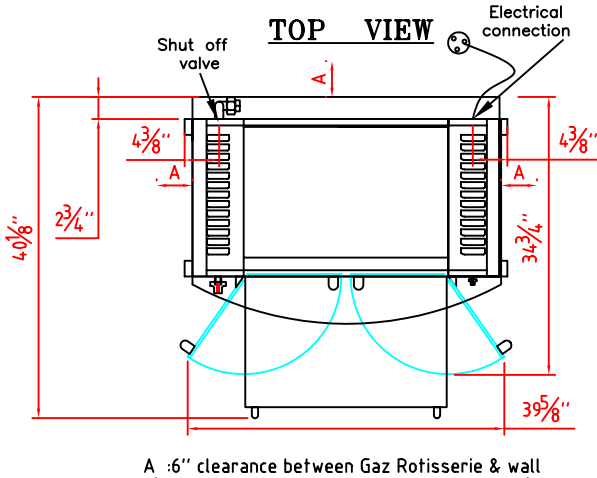
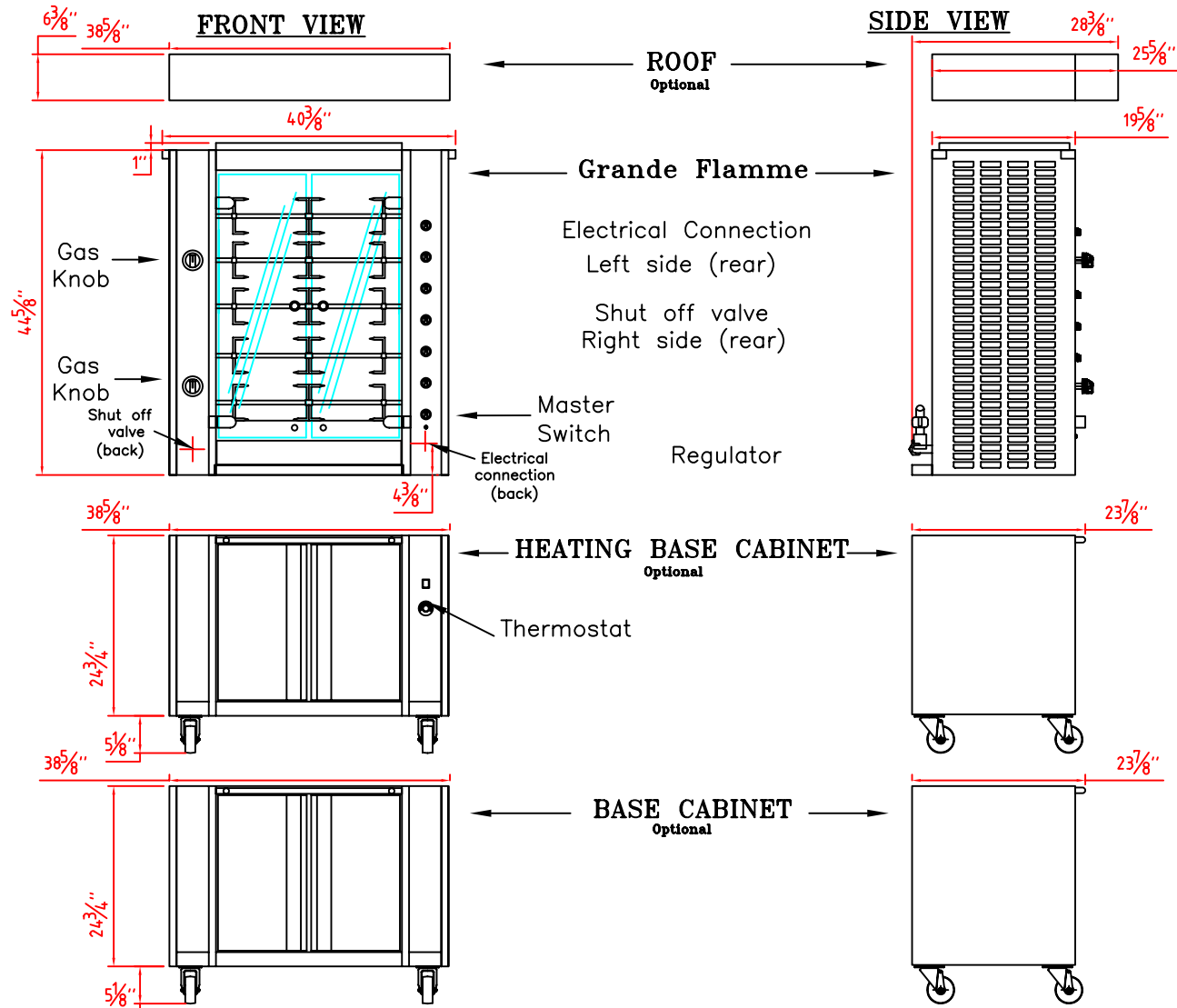


SPECIFICATION GRANDE FLAMME 950/5-S ELEC



	DIMENSION (inches)			ELECTRICAL CONNECTION	
	WIDTH	HEIGHT	DEPTH		
1-rotisserie	40 3/8	45 5/8	22 1/2	- Standard : - 13 500 Watts - 220 Volt - 3 phases - 36 Amps - 1 Electrical cable : 78" length	
2-roof	38 5/8	6 3/8	25 5/8		
3-heating or base cabinet	38 5/8	29 7/8	23 7/8		
1+2	40 3/8	51	28 3/8		
1+3	40 3/8	75 1/2	23 7/8		
1+2+3	40 3/8	80 7/8	28 3/8		
				WEIGHT	NOTE
				- Roof : 22 Lbs - Rotisserie : 308 Lbs - Base cabinet : 90 Lbs - Heated cabinet : 120 Lbs - Packing : 50 Lbs	- Nb of motors: 5 - Nb of burners: 2 - Nb of spits: 5 - Nb of glass doors: 2 - Nb of halogen lamps: 1

WARRANTY CONDITIONS :

rotisol warrants its equipment to be free from defects in material and workmanship. the warranty covers parts for one year and labor for 6 months. repairs must be performed by an authorized service company and it is the responsibility of the customer to return the defective parts to rotisol france, inc. within 15 days(otherwise, the warranty will not be honored). the shipping charges for replacement parts, other than ground, will be at the customer's expense. this warranty does not cover glass door breakage and quartz or halogene lamp breakage, neither does it cover a mechanical parts. this warranty does not apply to damages by accident, incorrect line voltage, fire, water, or other acts or god.