

CLASSIFIED

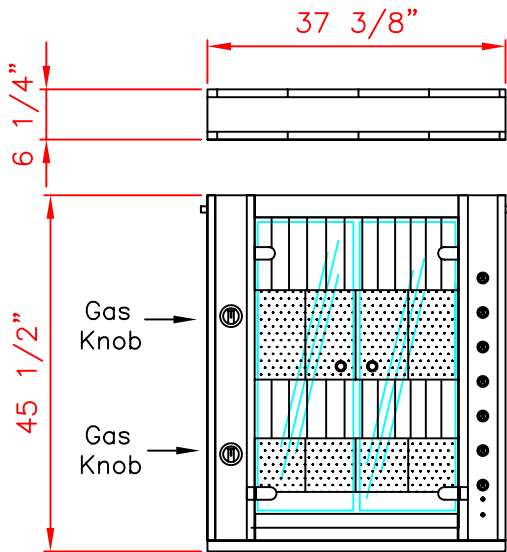


SPECIFICATIONS GF. 950/5. GAS MODEL WITH OPTIONAL HEATED BASE CABINET AND PROTECTIVE ROOF 15/20 CHICKEN CAPACITY

Rotisol
Tel: (800) 651-5969
Fax: (310) 671-8176

SIDE VIEW

FRONT VIEW



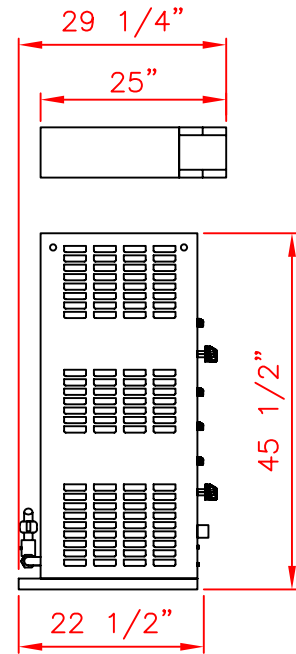
← ROOF →

Electrical Connection
220 Volts
Left side (rear)

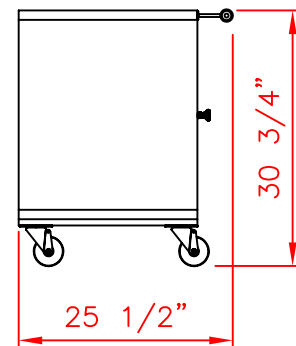
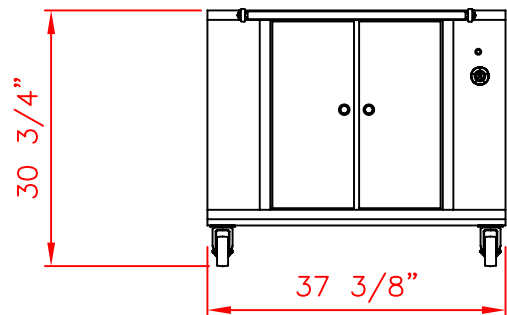
Shut off valve
(3/4" pipe connection)
Right side (rear)

Master
Switch

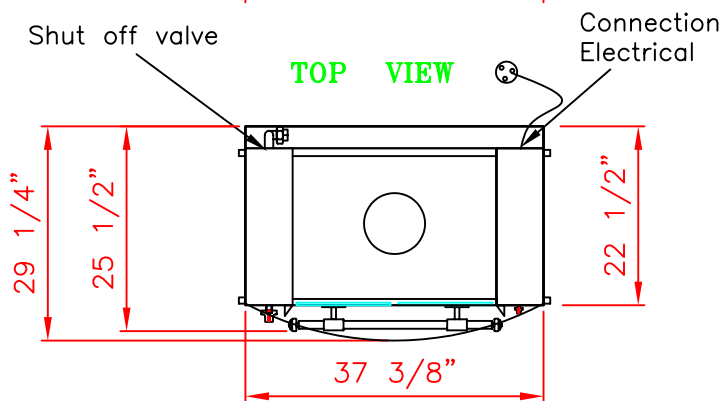
Regulator



← CABINET →



TOP VIEW



NOTE: Specifications, design and features are subject to change without notice.

SPECIFICATIONS

- Number of cooling fans: 2
- Number of motors: 5
- Number of spits: 5
- Tempered glass doors: 2
- Electrical cable length: 78"
- Voltage: 220V single phase
- Electrical power: 5.2 Amps
- Electrical power for heated base cabinet : 4.3 Amps

- Lighting: 1 halogen lamp of 300W
- Gas pipe connection: 3/4"
- Gas consumption BTU/HOUR: 55,000
- Crated weight roof: 60 Lbs
- Crated weight rotisserie: 420 Lbs
- Crated weight cabinet: 120 Lbs