

CLASSIFIED

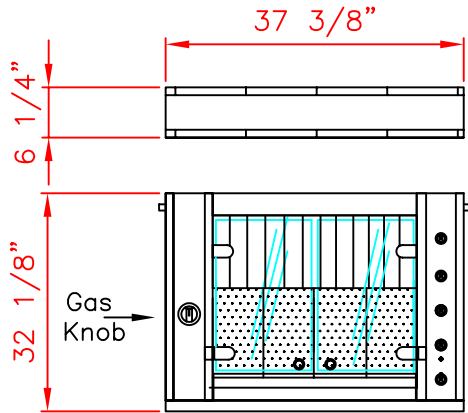


# SPECIFICATIONS GF. 950/2. GAS MODEL WITH OPTIONAL BASE CABINET AND PROTECTIVE ROOF 6/8 CHICKEN CAPACITY

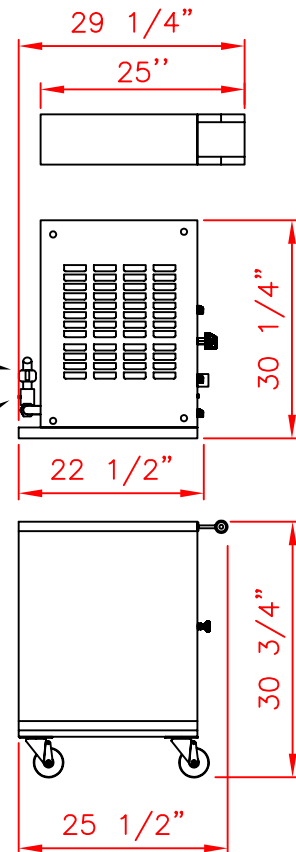


Tel:(800) 651-5969  
Fax:(310) 671-8176

## FRONT VIEW



## SIDE VIEW

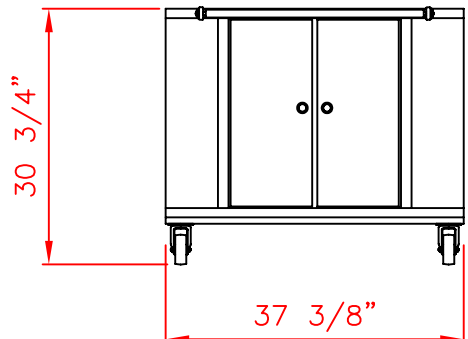


## ROOF

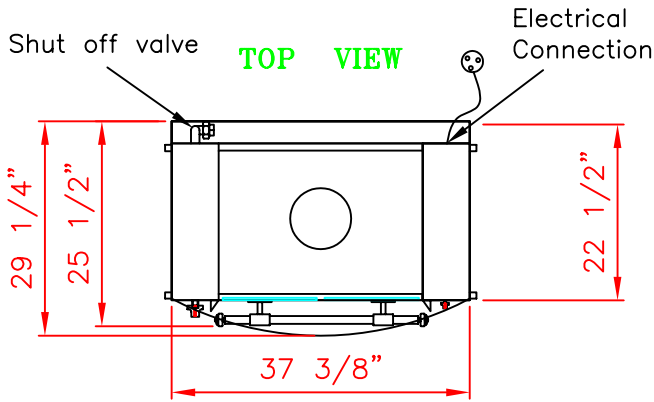
Electrical Connection  
220 Volts  
Left side (rear)  
Shut off valve  
(3/4" pipe connection)  
Right side (rear)

Master Switch  
Regulator

## CABINET



## TOP VIEW



**NOTE: Specifications, design and features are subject to change without notice.**

## SPECIFICATIONS

- Number of cooling fan: 1
- Number of motors: 3
- Number of spits: 3
- Tempered glass doors: 2
- Voltage: 220V single phase
- Electrical power: 5 Amps
- Electrical cable length: 78"
- Lighting: 1 halogen lamp of 300W
- Gas pipe connection: 3/4"
- Gas consumption BTU/HOUR: 28,000
- Crated weight roof: 60 Lbs
- Crated weight rotisserie: 215 Lbs
- Crated weight cabinet: 120 Lbs