

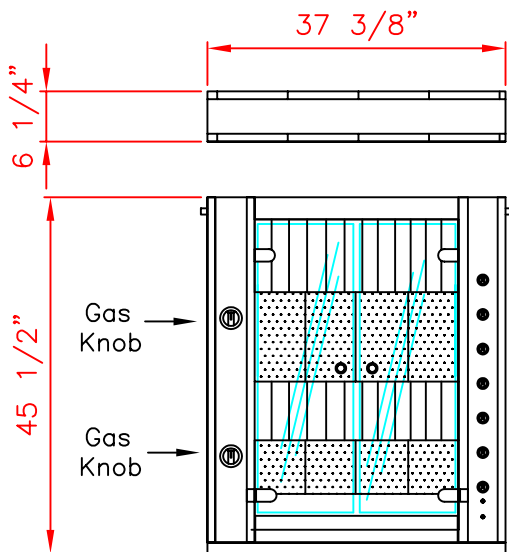
CLASSIFIED



# SPECIFICATIONS GF. 950/5. GAS MODEL WITH OPTIONAL BASE CABINET AND PROTECTIVE ROOF 15/20 CHICKEN CAPACITY

**Rotisol**  
Tel: (800) 651-5969  
Fax: (310) 671-8176

## FRONT VIEW



## ROOF

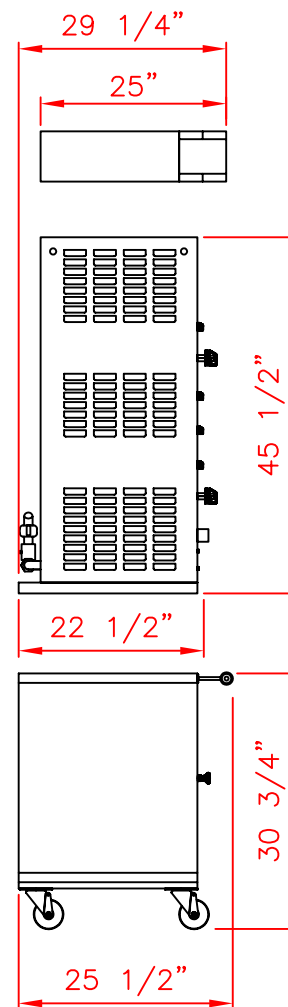
Electrical Connection  
220 Volts  
Left side (rear)

Shut off valve  
(3/4" pipe connection)  
Right side (rear)

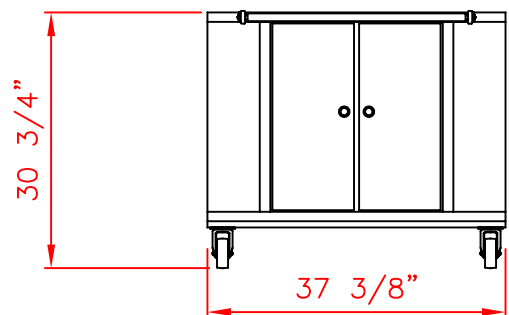
Master  
Switch

Regulator

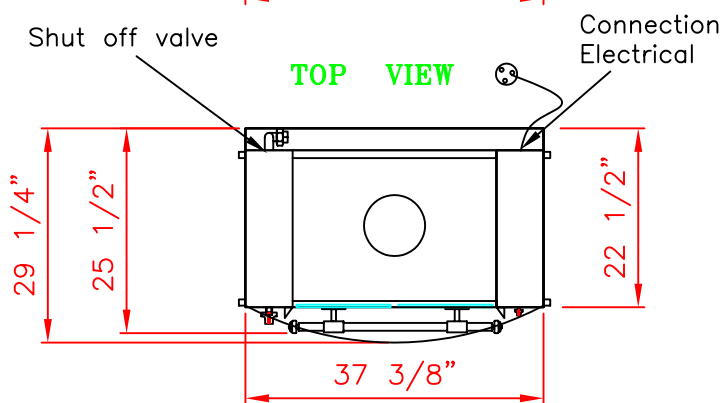
## SIDE VIEW



## CABINET



## TOP VIEW



**NOTE: Specifications, design and features are subject to change without notice.**

## SPECIFICATIONS

- Number of cooling fans: 2
- Number of motors: 5
- Number of spits: 5
- Tempered glass doors: 2
- Electrical cable length: 78"
- Voltage: 220V single phase
- Electrical power: 5.2 Amps

- Lighting: 1 halogen lamp of 300W
- Gas pipe connection: 3/4"
- Gas consumption BTU/HOUR: 55,000
- Crated weight roof: 60 Lbs
- Crated weight rotisserie: 420 Lbs
- Crated weight cabinet: 120 Lbs