

CLASSIFIED



SPECIFICATIONS GF. 950/8. GAS
MODEL WITH OPTIONAL
PROTECTIVE ROOF
24/32 CHICKEN CAPACITY

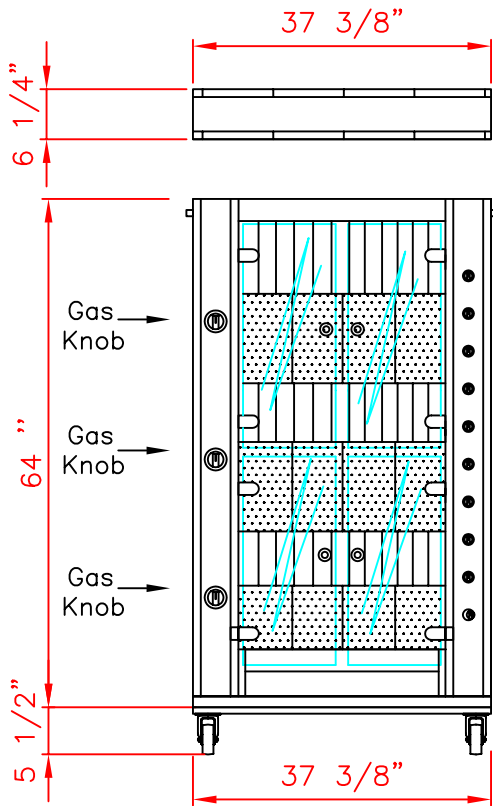
Rotisol

Tel:(800) 651-5969

Fax:(310) 671-8176

FRONT VIEW

SIDE VIEW



← ROOF →

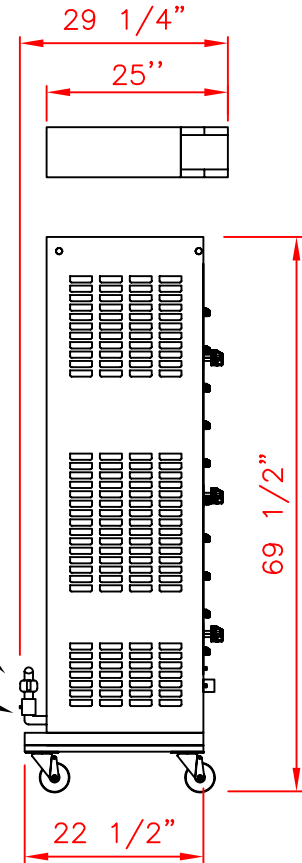
Electrical Connection
220 Volts
Left side (rear)

Shut off valve
(3/4" pipe connection)
Right side (rear)

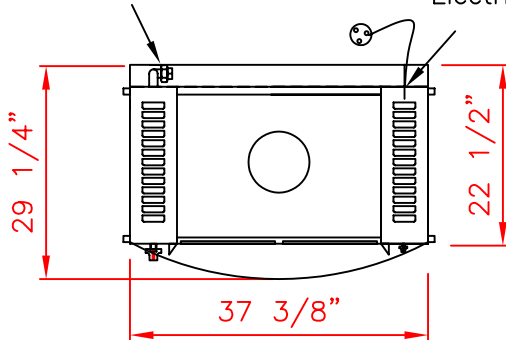
Master Switch

Regulator

← BASE ON CASTERS →



Shut off valve TOP VIEW Electrical Connection



NOTE: Specifications, design and features are subject to change without notice.

SPECIFICATIONS

- Number of cooling fans: 2
- Number of motors: 8
- Number of spits: 8
- Tempered Glass doors: 4
- Electrical cable length: 78"
- Voltage: 220V single phase
- Electrical power: 5.5 Amps

- Lighting: 1 halogen lamp of 300W
- Gas pipe connection: 3/4"
- Gas consumption BTU/HOUR: 82,000
- Crated weight roof: 60 Lbs
- Crated weight rotisserie: 520 Lbs