

CLASSIFIED



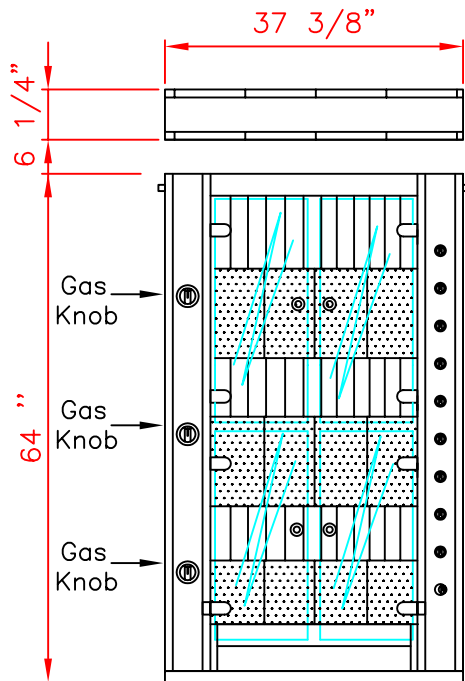
# SPECIFICATIONS GF. 950/8. GAS MODEL WITH OPTIONAL CUSTOM BASE CABINET AND PROTECTIVE ROOF 24/32 CHICKEN CAPACITY

**Rotisol**

Tel: (800) 651-5969

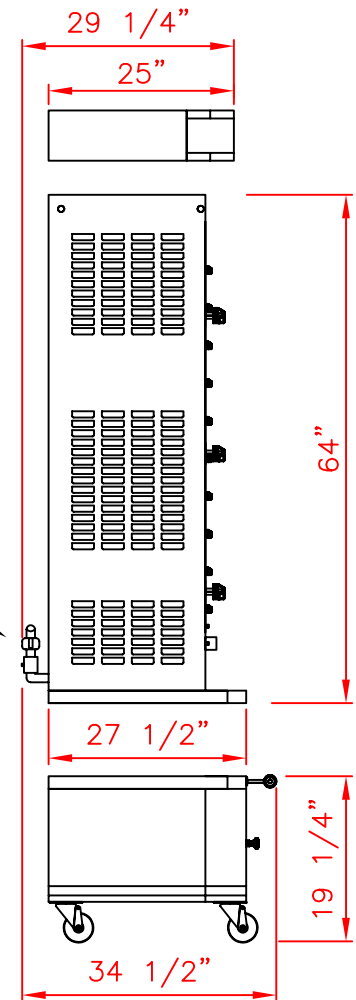
Fax: (310) 671-8176

## FRONT VIEW



← ROOF →

## SIDE VIEW



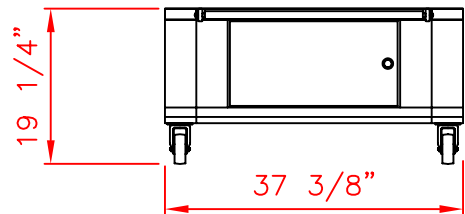
Electrical Connection  
220 Volts  
Left side (rear)

Shut off valve  
(3/4" pipe connection)  
Right side (rear)

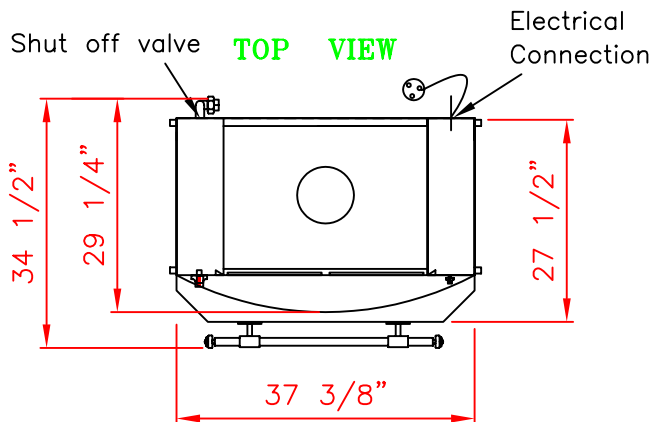
Master  
Switch

Regulator

← CABINET →



## TOP VIEW



## SPECIFICATIONS

- Number of cooling fans: 2
- Number of motors: 8
- Number of spits: 8
- Tempered glass doors: 4
- Electrical cable length: 78"
- Voltage: 220V single phase
- Electrical power: 5.5 Amps

- Lighting: 1 halogen lamp of 300W
- Gas pipe connection: 3/4"
- Gas consumption BTU/HOUR: 82,000
- Crated weight roof: 60 Lbs
- Crated weight rotisserie: 520 Lbs
- Crated weight cabinet: 150 Lbs