

CLASSIFIED

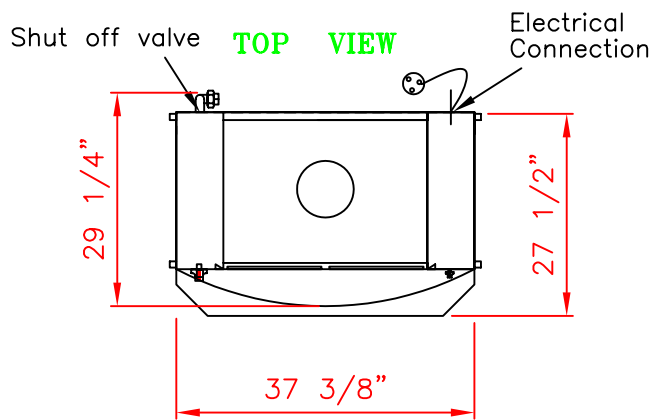
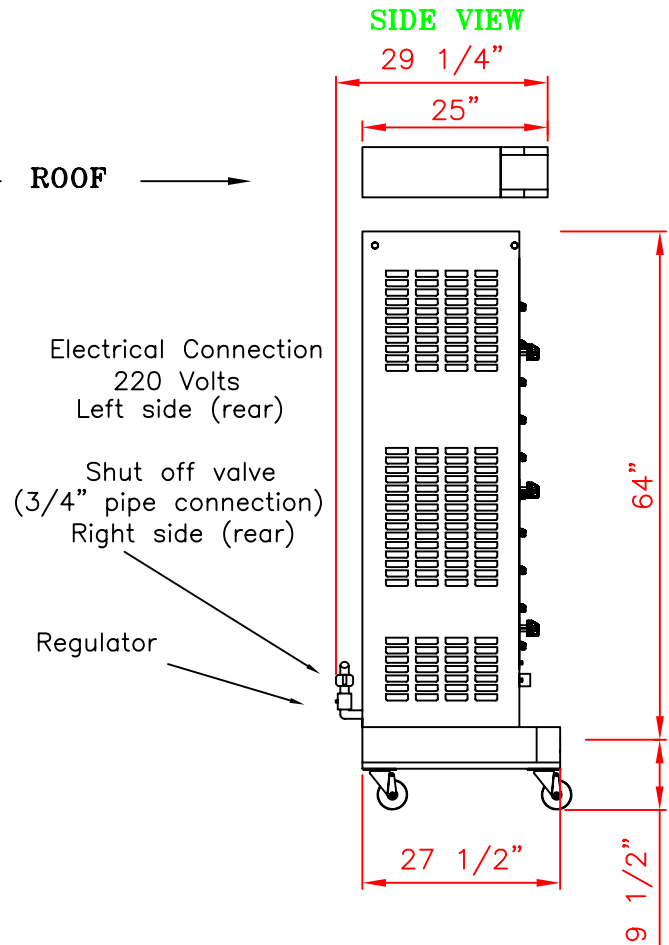
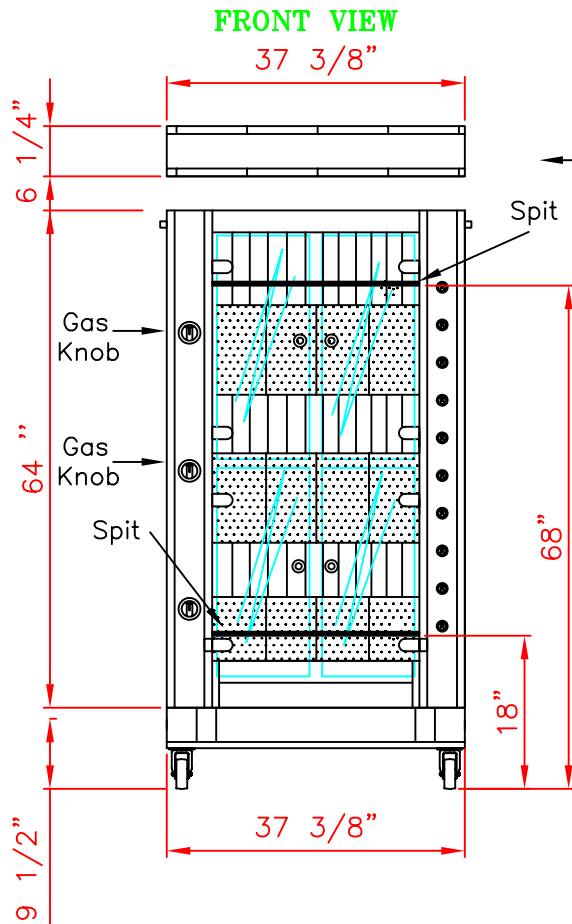


SPECIFICATIONS GF. 950/8. GAS
MODEL WITH OPTIONAL SHORT
BASE AND PROTECTIVE ROOF
24/32 CHICKEN CAPACITY

Rotisol

Tel: (800) 651-5969

Fax: (310) 671-8176



SPECIFICATIONS

- Number of cooling fans: 2
- Number of motors: 8
- Number of spits: 8
- Tempered glass doors: 4
- Electrical cable length: 78"
- Voltage: 220V single phase
- Electrical power: 5.5 Amps

- Lighting: 1 halogen lamp of 300W
- Gas pipe connection: 3/4"
- Gas consumption BTU/HOUR: 82,000
- Crated weight roof: 60 Lbs
- Crated weight rotisserie: 520 Lbs
- Crated weight stand: 92 Lbs