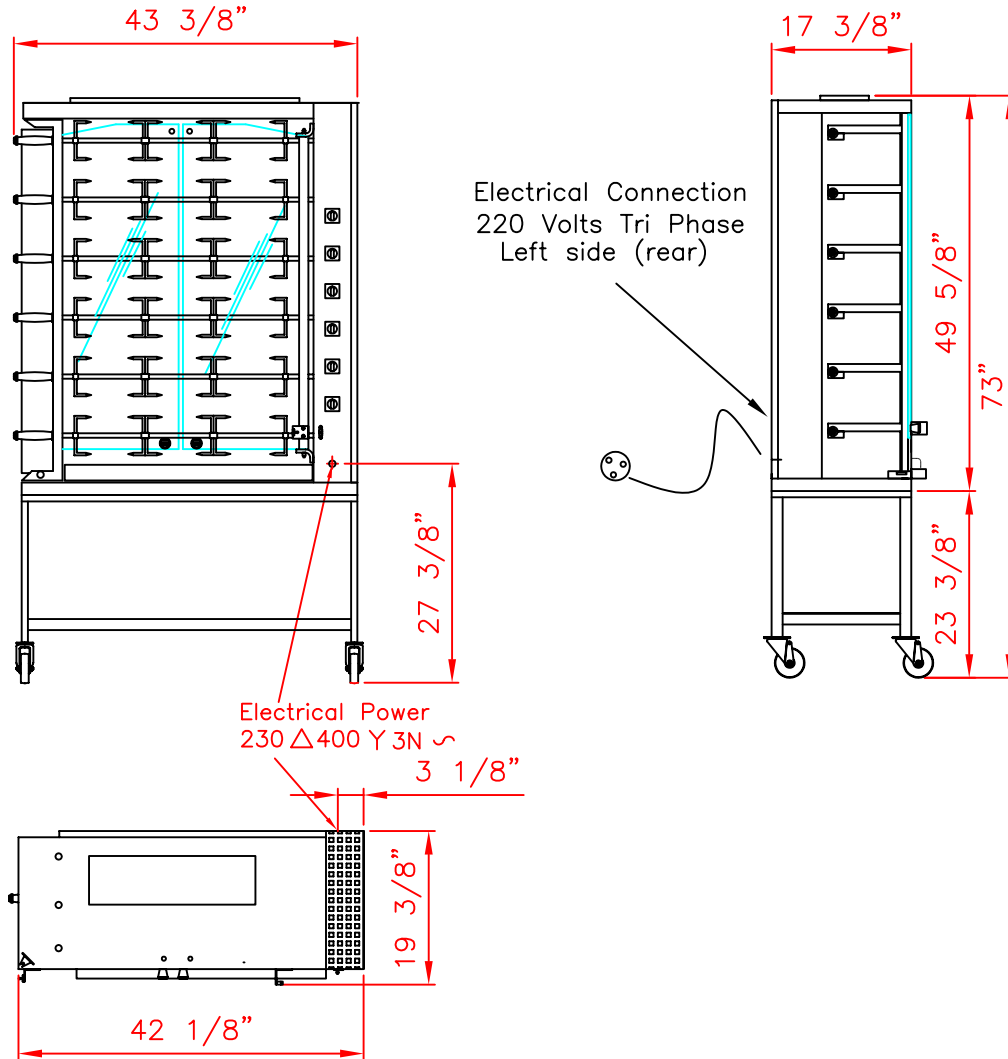


PERFORMANCE ELECTRIC ROTISSERIE
REF.: PR6/1100 ELECTRIC
24/30 CHICKEN CAPACITY



SPECIFICATIONS

- All stainless steel
- Number of spits and motors: 6
- Tempered glass doors: 2
- Number of cooling fan: 1
- **Electrical cable length: 78"**
- Voltage 220V Tri Phase: 48 Amps - Voltage 220V Single Phase: 84 Amps
- Net weight of rotisserie: 310 Lbs