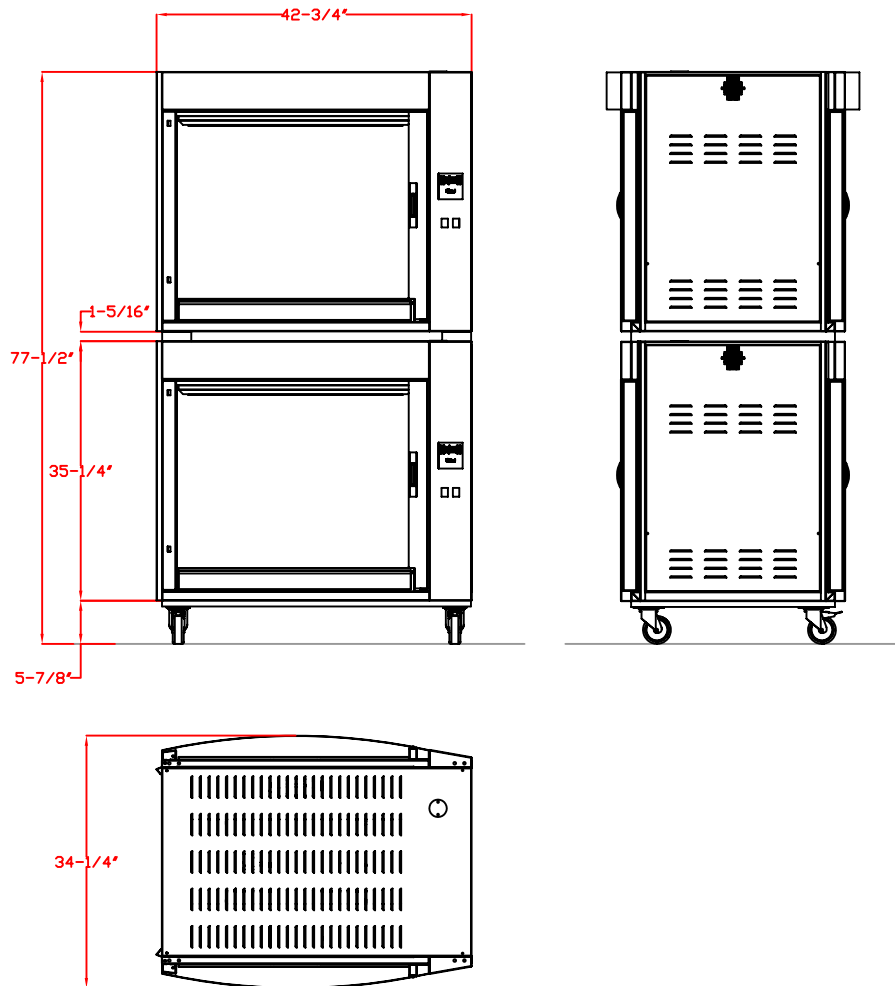


DATA SHEET

ROTI-ROASTER ROTISSERIE REF. : FBP 14.720



SPECIFICATIONS

Stainless steel finish.

Convection cooking with temperature maintained at the end of the cooking cycle.

Manual setting of the cooking modes, digital temperature setting and reading.

70/84 Chicken capacity.

16 Baskets Spit for all poultry.

795 lbs. crated weight.

ROTISSERIE: W 42-3/4", D 34-1/4", H 77-1/2" (with casters).

ELECTRICAL : 208/220V~60hz Tri-Phase (78" electrical cable)

Electrical power : 46.6 Amps/44.1 Amps

OPTIONS:

- Adjustable feet.
- Electronic control panel with digital setting with 12 different programs.
- Curved Glass Door.

ACCESSORIES:

- Fork spits for chickens, roast pork, Spatchcock spit for open chickens
- Large spit for turkeys, hams