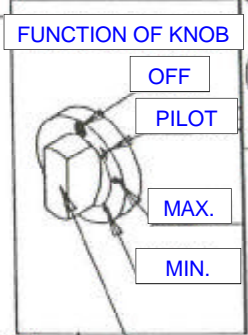
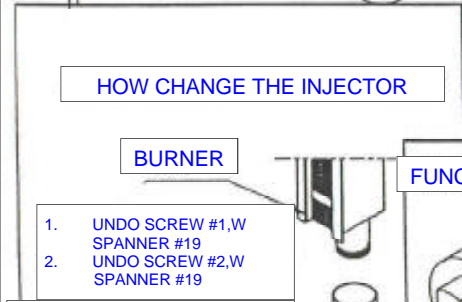
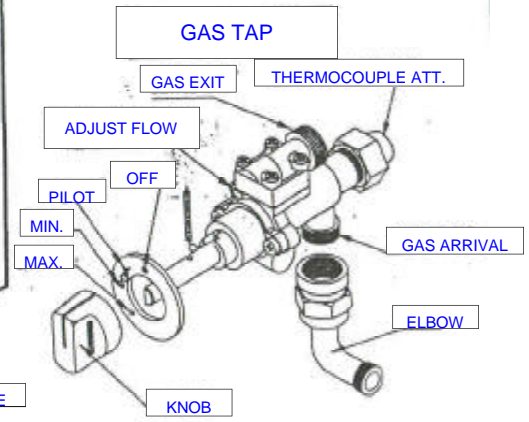
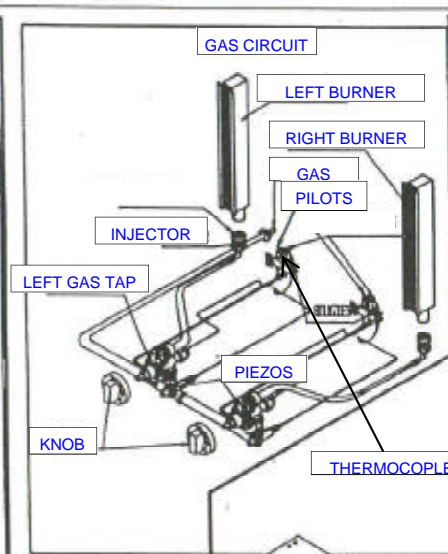
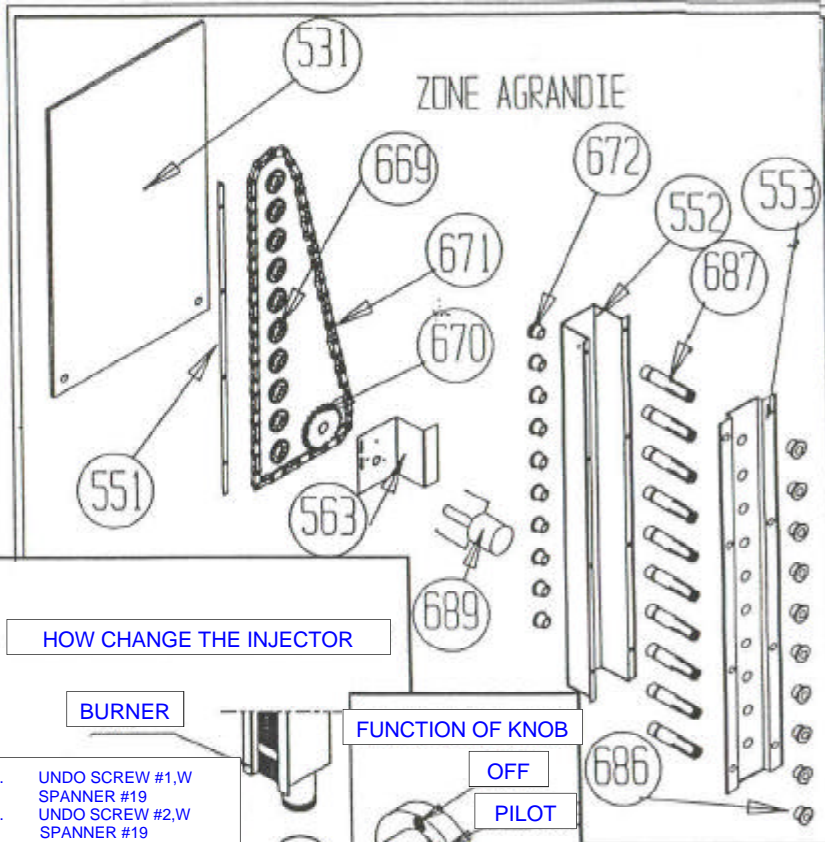
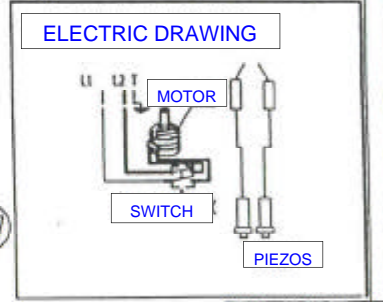
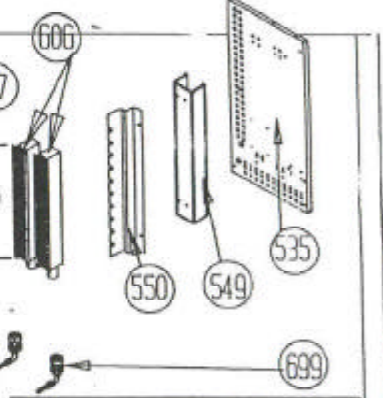
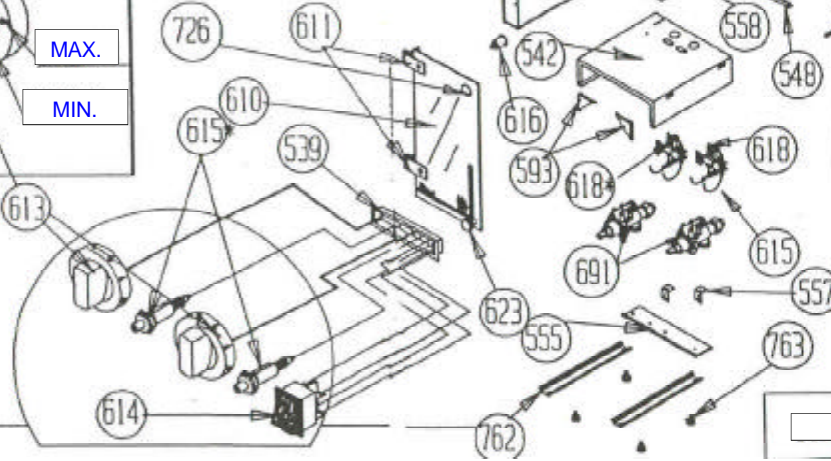
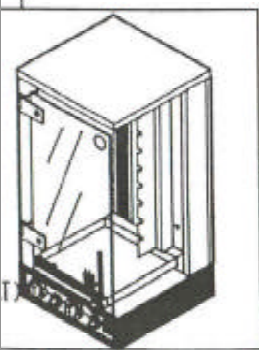


- 531:- EXTERIOR SIDE LEFT
- 534:- EXTERIOR SIDE LEFT
- 535:- BOTTOM
- 537:- HOOD
- 539:- COMMANDE BOX
- 542:- BOTTOM TABLE
- 547:- PARABOL CENTER
- 548:- IN-BETWEEN BURNER
- 549:- UPPER RIGHT
- 550:- SUPPORT KEBAB
- 551:- CHAIN GUIDE
- 552:- SUPPORT PINS
- 553:- SUPPORT HIDER
- 555:- SUPPORT GAS RAMP
- 557:- SUPPORT PILOT LIGHT
- 558:- FLAT BROCHETTE
- 563:- SUPPORT MOTOR
- 590:- SUPPORT MAGNET
- 593:- TRIANGLES
- 606:- BURNERS
- 610:- GLASS DOOR
- 611:- HINGES
- 613:- BOTTONS
- 614:- SWITCH
- 615*- PIEZOS (SPARK PLUG)
- 615:- PIEZOS (SPARK PLUG)
- 616:- MAGNET
- 618:- THERMOCOPLES
- 618*- PILOT LIGHT
- 623:- DOOR KNOB
- 669:- LITLLE PINS
- 670:- LARGE PINS
- 671:- CHAIN
- 672:- RING
- 686:- FLAT RING
- 687:- AXE
- 689:- MOTOR
- 691:- GAS TAP
- 699:- AIR COLLAR
- 726:- CHROME BUTTOM
- 762:- SUPPORT
- 763:- PLASTIC FOOT



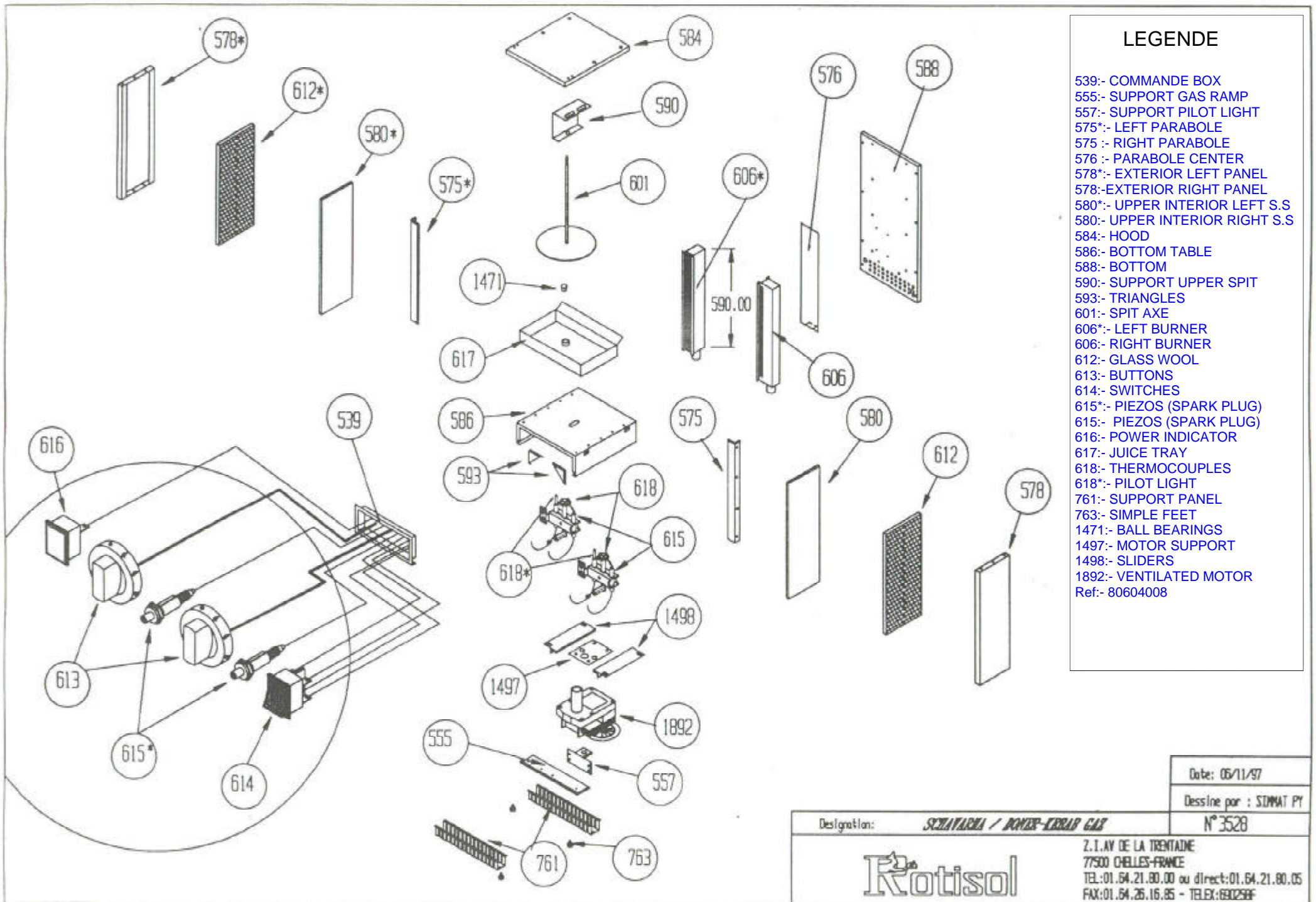
1. UNDO SCREW #1,W SPANNER #19
 2. UNDO SCREW #2,W SPANNER #19

INJECTOR PROPANE GAS Ø 0.95
 INJECTOR NATURAL GAS Ø 1.35



KEBAB OVEN GAS

Date : 12/06/92
 Dessiné par: JAGGAR
 Numéro: N° 669



LEGENDE

- 539:- COMMANDE BOX
- 555:- SUPPORT GAS RAMP
- 557:- SUPPORT PILOT LIGHT
- 575*:- LEFT PARABOLE
- 575 :- RIGHT PARABOLE
- 576 :- PARABOLE CENTER
- 578*:- EXTERIOR LEFT PANEL
- 578:-EXTERIOR RIGHT PANEL
- 580*:- UPPER INTERIOR LEFT S.S
- 580:- UPPER INTERIOR RIGHT S.S
- 584:- HOOD
- 586:- BOTTOM TABLE
- 588:- BOTTOM
- 590:- SUPPORT UPPER SPIT
- 593:- TRIANGLES
- 601:- SPIT AXE
- 606*:- LEFT BURNER
- 606:- RIGHT BURNER
- 612:- GLASS WOOL
- 613:- BUTTONS
- 614:- SWITCHES
- 615*:- PIEZOS (SPARK PLUG)
- 615:- PIEZOS (SPARK PLUG)
- 616:- POWER INDICATOR
- 617:- JUICE TRAY
- 618:- THERMOCOUPLES
- 618*:- PILOT LIGHT
- 761:- SUPPORT PANEL
- 763:- SIMPLE FEET
- 1471:- BALL BEARINGS
- 1497:- MOTOR SUPPORT
- 1498:- SLIDERS
- 1892:- VENTILATED MOTOR
- Ref:- 80604008

Date: 05/11/97

Dessiné par : SIMPAT PY

N° 3528

Designation: *SCZIATACKI / POWER-ERRAD GAS*

Kotisol

Z.I. AV DE LA TRENTAINE
 77500 CHELLES-FRANCE
 TEL:01.64.21.80.00 ou direct:01.64.21.80.05
 FAX:01.64.26.16.85 - TELEX:690298F

ROTISO(ASIA)LTD.

G/F 68, Po Hing Fung, Sheung Wan HONK KONG
 Tel : (852) 2984 9867 - Fax : (852) 2984 8543
 E-mail: sam@rotisol.com.hk www.rotisol.com.hk

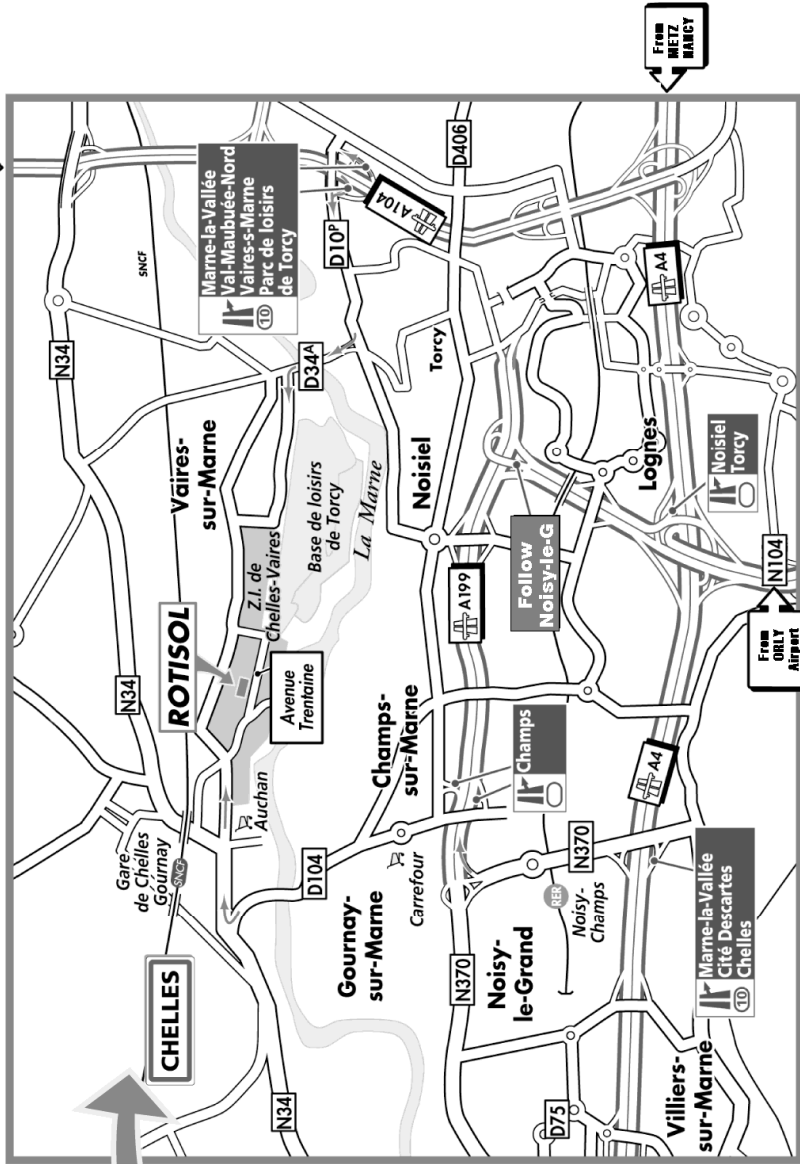
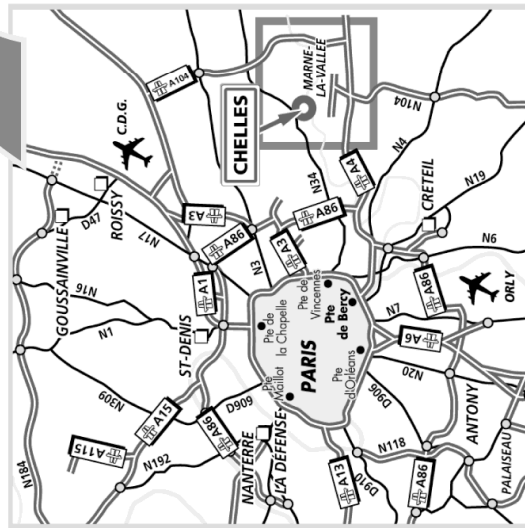
ROTISOL-EST Sp-z o.o.

ul. Przemysłowa 7c 11-700 MRAGOWO POLAND
 Tel. / fax : 0048 89 741 32 70 - Tel. : 0048 89 741 16 05
 Tel. kom : 0048 0603 634 927
 E-mail: info@rotisol.com.pl www.rotisol.pl

ROTISOL France, Inc

304 W 117th, St # 3L, New York, NY 10026-USA
 Tél: (212) 665 3301 Fax: (212) 665 6160
 E-mail: marc@rotisolusa.com
 341 North Oak Street - INGLEWOOD, CA 90302-USA
 Toll free: 800 651 5969 Tél: (310) 671 7254 Fax: (310) 671 8171
 E-mail: info@rotisolusa.com www.rotisolusa.com

ENTRANCE MAP



From Paris : join Porte de Bercy (Bercy gate), then motorway A4, direction Marne-la-Vallée / Metz / Nancy.
 Take the exit n° 10 Marne-la-Vallée / Cité Descartes / Chelles. Follow the N370 then on motorway A199,
 direction Champs-sur-Marne / Chelles. Take the first exit Champs (and follow the map).
 Or : from Porte de Vincennes (Vincennes gate), follow the N34, direction Chelles (and follow the map).
 Or : from Paris, take motorway A4 direction Marne-la-Vallée / Metz / Nancy, then follow la Francilienne
 A104 direction Marne-la-Vallée / Aéroport CDG / Lille. Take exit n° 10 Marne-la-Vallée / Val Maubuée
 Nord / Vaires-sur-Marne / Parc de Loisirs Torcy (and follow the map).
 From Orly Airport : join the N7, direction Créteil to take motorway A86 direction Marne-la-Vallée.
 Then take motorway A4 direction Metz / Nancy and follow A104 La Francilienne, direction
 Marne-la-Vallée / Aéroport CDG / Lille. Take the exit n° 10 Marne-la-Vallée / Val Maubuée Nord / Vaires-
 sur-Marne / Parc de Loisirs Torcy (and follow the map).

From Charles-de-Gaulle (CDG) Airport : join motorway A1, direction Paris, then follow
 A104 la Francilienne, direction Marne-la-Vallée. Take exit n° 10 Marne-la-Vallée/ Val Maubuée Nord /
 Vaires-sur-Marne / Parc de Loisirs Torcy (and follow the map).
 From Metz / Nancy : join motorway A31 direction Paris, then follow A104 la Francilienne, direction
 Marne-la-Vallée / Val de Lagny / Lagny-sur-Marne. Take the exist n°10 Marne-la-Vallée/ Val Maubuée
 Nord / Vaires-sur-Marne / Parc de Loisirs Torcy (and follow the map).
 From Paris by train : Gare de l'Est station, direction Meaux. Exist at Gare de Chelles / Gournay station
 (30 minutes).
 Depuis Paris by RER : Hausmann / Saint-Lazare station, take RER E4 (EOLE), direction
 Chelles / Gournay. Exist at Chelles / Gournay RER station (20 minutes).